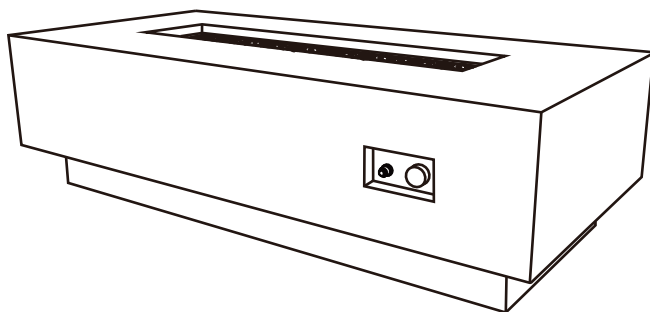


ELEMENTI

THE ART OF LIVING



OFG201	OFS302	OFS303	OFS005	OFM106	OFG121	OFG126
OFG139	OFG223					

Manual
Handbuch
Manuel
Manuale
Manual
Manual



TECHNICAL DATA / TECHNISCHE DATEN / DONNÉES TECHNIQUES DATI TECNICI / DATOS TÉCNICOS / DADOS TÉCNICOS

Product name DE: Produktname FR: Nom du produit IT: Nome del prodotto ES: Nombre del producto PT: Nome do produto	Outdoor gas firepit DE: Gaseuerstelle im Freien FR: Foyer extérieur au gaz IT: Focolare a gas all'aperto ES: Fogonero de gas para exteriores PT: Fogueira de gás exterior			
Manufacturer DE: Hersteller FR: Fabricant IT: Produttore ES: Fabricante PT: Fabricante	ELEMENTI INDUSTRIAL (XIAMEN) CO., LTD.			
Address DE: Adresse FR: Adresse IT: Indirizzo ES: Dirección PT: Endereço	4F & 5F, No. 190-4, Xintian Road, Houxi Town, Jimei District, Xiamen, Fujian, China			
Heat input DE: Wärmezufuhr FR: Apport de chaleur IT: Apporto di calore ES: Entrada de calor PT: Entrada de calor	13.19 kW(G30:960 g/h;G31:943 g/h) ; 13.5 kW(G31:965 g/h) For I 3P(37)			
Appliance category & Gas type & Gas pressure& Injector size DE: Gerätekategorie & Gastyp & Gasdruck & Einspritzdüse Größe FR: Catégorie d'appareils & Gastyp & Gasdruck & Pression du gaz& Taille de l'injecteur IT: Apparecchio Categoria & Tipo di gas & Pressione del gas & Dimensioni dell'iniettore ES: Categoría del aparato & Tipo de gas & Presión de gas & Tamaño del inyector PT: Categoria do aparelho & Tipode gás & Pressão do gás & Tamanho do injetor	I 3B/P (30) G30 Butane, G31 Propane or their mixture at 30mbar DE: G30 Butan, G31 Propan oder deren Mischung bei 30mbar FR: Butane G30, G31 Propane ou leur mélange à 30 mbar IT: G30 Butano, G31 Propano o loro miscela a 30 mbar ES: G30 Butano, G31 Propano o su mezcla a 30mbar PT: G30 Butano, G31 Propano ou a sua mistura a 30 mbar <input type="checkbox"/> 1.77 mm	I 3B/P (50) G30 Butane, G31 Propane or their mixture at 50mbar DE: G30 Butan, G31 Propan oder deren Mischung bei 50mbar FR: Butane G30, G31 Propane ou leur mélange à 50 mbar IT: G30 Butano, G31 Propano o loro miscela a 50 mbar ES: G30 Butano, G31 Propano o su mezcla a 50mbar PT: G30 Butano, G31 Propano ou a sua mistura a 50 mbar <input type="checkbox"/> 1.53 mm	I 3+ (28-30/37) G30 Butane at 28-30mbar, G31 Propane at 37mbar DE: G30 Butan bei 28-30mbar, G31 Propano a 37mbar FR: G30 Butane à 28-30 mbar, G31 Propano à 37 mbar IT: G30 Butano a 28-30mbar, G31 Propano a 37mbar ES: G30 Butano a 28-30mbar, G31 Propano a 37mbar PT: G30 Butano a 28-30mbar, G31 Propano a 37mbar <input type="checkbox"/> 1.77 mm	I 2H G20 Natural gas at 20mbar DE: G20 Erdgas bei 20mbar FR: G20 Gaz naturel à 20 mbar IT: G20 Metano a 20 mbar ES: Gas natural G20 a 20mbar PT: G20 Gás natural a 20 mbar <input type="checkbox"/> 2.96 mm
	I 3P (30) G31 Propane at 30mbar DE: G31 Propan bei 30mbar FR: G31 Propane à 30 mbar IT: G31 Propano a 30 mbar ES: G31 Propano a 30mbar PT: G31 Propano a 30 mbar <input type="checkbox"/> 2.01 mm	I 3P (50) G31 Propane at 50mbar DE: G31 Propan bei 50mbar FR: G31 Propane à 50 mbar IT: G31 Propano a 50 mbar ES: G31 Propano a 50mbar PT: G31 Propano a 50 mbar <input type="checkbox"/> 1.73 mm	I 3P (37) G31 Propane at 37mbar DE: G31 Propan bei 37mbar FR: G31 Propane à 37 mbar IT: G31 Propano a 37 mbar ES: G31 Propano a 37mbar PT: G31 Propano a 37 mbar <input type="checkbox"/> 1.84 mm	
Destination countries DE: Bestimmungsländer FR: Pays de destination IT: Paesi di destinazione ES: Países de destino PT: Países de destino	BG,CY,AL,TR, DK,EE, FI,FR,IS,CZ,HR,HU, IT,LT,LU,MT,MK,NL, NO,RO,SE,SI,SK	AT,CH,DE,SK	BE,CH,CY,CZ,ES, FR,GB,GR,IE,IT, LT,LU,LV,PT,SI,SK	BE,BG,CY,CZ, DK,EE,FI,FR, GB,GR,HR,HU, IT,LT,LU,LV,MT, NL,NO,RO,SE, SI,SK,AT,CH, DE,ES,IE,AL,IS, MK,PL,PT,TR

Gas connection size

DE: Gasanschlussgröße
FR: Taille de connexion de gaz
IT: Dimensioni attacco gas
ES: Tamaño de la conexión de gas
PT: Tamanho da ligação de gás



Threaded connection G1/4"LH

DE: Gewindeanschluss G1/4"LH
FR: Connexion fileté G1/4"LH
IT: Attacco filettato G1/4"LH
ES: Conexión roscada G1/4"LH
PT: Ligaçã roscada G1/4"LH



Threaded connection M20x1.5

DE: Gewindeanschluss M20X1.5
FR: Connexion fileté M20X1.5
IT: Attacco filettato M20X1.5
ES: Conexión roscada M20X1.5
PT: Ligaçã roscada M20X1.5



Hose connection - Diameter 8mm

DE: Schlauchanschluss - Durchmesser 8mm
FR: Raccord de tuyau - Diamètre 8mm
IT: Raccordo tubo - Diametro 8mm
ES: Conexión de manguera - Diámetro 8mm
PT: Ligaçã da mangueira - diâmetro 8mm



Hose connection - Diameter 10mm

DE: Schlauchanschluss - Durchmesser 10mm
FR: Raccord de tuyau - Diamètre 10mm
IT: Raccordo tubo - Diametro 10mm
ES: Conexión de manguera - Diámetro 10mm
PT: Ligaçã da mangueira - diâmetro 10mm



Other

DE: Sonstiges , FR: Autre , IT: Altro
ES: Otro , PT: Outros

1. The use of this appliance in enclosed areas is DANGEROUS and is PROHIBITED.
2. For use outdoors or in amply ventilated areas.
3. An amply ventilated area must have a minimum of 25 % of the surface area open.
4. The surface area is the sum of the walls surface.

DE:

1. Die Verwendung dieses Geräts in geschlossenen Räumen ist GEFÄHRLICH und VERBOTEN.
2. Anwendung nur im Freien oder in gut belüfteten Räumen.
3. Ein ausreichend belüfteter Raum muss mindestens 25 % der Oberfläche offen haben.
4. Die Fläche ist die Summe der Wandflächen.

FR:

1. L'utilisation de cet appareil dans des endroits fermés est DANGEREUSE et INTERDITE.
2. A utiliser à l'extérieur ou dans des lieux amplement ventilés.
3. Un espace bien ventilé doit avoir un minimum de 25 % de la surface ouverte.
4. La surface est la somme de la surface des parois.

IT:

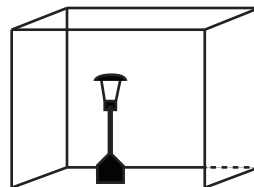
1. L'uso di questo apparecchio in ambienti chiusi è PERICOLOSO ed è VIETATO.
2. Da utilizzare all'aperto o in ambienti ampiamente ventilati.
3. Un'area ampiamente ventilata deve avere almeno il 25% della superficie aperta.
4. La superficie è la somma della superficie delle pareti.

ES:

1. El uso de este producto en lugares cerrados es PELIGROSO y está PROHIBIDO.
2. Se debe utilizar al aire libre o en espacios bien ventilados.
3. Un espacio bien ventilado debe tener como mínimo el 25 % de la superficie abierta.
4. Se entiende por superficie la suma de la de las paredes.

PT:

1. A utilização deste aparelho em áreas fechadas é PERIGOSA e PROIBIDA.
2. Para utilização no exterior ou em áreas amplamente ventiladas.
3. Uma área ventilada e ampla deve ter, no mínimo, 25% da superfície aberta.
4. A superfície é a soma da superfície das paredes.



ENGLISH

Technical data-----	2
Gas Fire pit Safety Warnings-----	7
Expanded View -----	10
Installation -----	12
Design -----	12
Build -----	13
Install -----	13
Leakage Testing -----	16
Lighting Instructions -----	17
Maintenance and Cleaning-----	18
Storage -----	20
Troubleshooting -----	21
Warranty -----	23

DEUTSCH

Technische Daten -----	2
Gas-Feuerstelle Warnhinweise -----	24
Erweiterte Ansicht -----	27
Installation -----	29
Design -----	29
Aufbau/ Gestaltung -----	30
Inbetriebnahme -----	30
Leckage-Prüfung -----	33
Zündungsanleitung -----	34
Wartung und Reinigung -----	35
Lagerung -----	37
Fehlerbehebung -----	38
Garantie -----	40

FRANÇAIS

Données techniques-----	2
Avertissements de sécurité pour les foyers à gaz-----	41
Vue d'ensemble-----	44
Installation-----	46
Design -----	46
Construire -----	47
Installation-----	47
Test d'étanchéité -----	50
Instructions d'allumage-----	51
Entretien et nettoyage-----	52
Stockage-----	54
Dépannage-----	55
Garantie-----	57

ITALIANO

Dati tecnici -----	2
Avvertenze per la sicurezza del fuochi a gas-----	58
Vista estesa -----	61
Installazione -----	63
Design -----	63
Costruire -----	64
Installare -----	65
Prova di tenuta -----	67
Istruzioni per l'illuminazione -----	68
Manutenzione e pulizia-----	69
Conservazione -----	71
Risoluzione dei problemi -----	72
Garanzia -----	74

ESPAÑOL

Datos técnicos	2
Advertencias de seguridad del brasero de gas	75
Vista ampliada	78
Instalación	80
Diseño	80
Construcción	81
Montaje	82
Prueba de fugas	84
Instrucciones de encendido	85
Mantenimiento y limpieza	86
Almacenamiento	88
Solución de problemas	89
Garantía	91

PORTUGUÊS

Dados técnicos	2
Avisos de segurança para fogueira de gás	92
Vista expandida	95
Instalação	97
Design	97
Construção	98
Instalação	99
Teste de vazamentos	101
Instruções de ignição	102
Manutenção e limpeza	103
Almacenamiento	105
Resolução de problemas	106
Garantía	108

ENGLISH



IMPORTANT
SAVE THESE
INSTRUCTIONS



WARNING

For outdoor use only. **DO NOT** use for cooking. **DO NOT** use under any overhead enclosure.



WARNING

- If the information in this manual is not followed exactly, a fire or explosion may result causing property damage personal injury or loss of life.
- Installation and service must be performed by a qualified installer, service agency or gas supplier. Improper Installation, adjustment, alteration, service or maintenance can cause injury or property damage.
- Read the installation, operation and maintenance instructions thoroughly before installing or servicing this equipment.
- Save these instructions for future reference. If you are assembling this unit for someone else, give this manual to him or her to read and keep the instructions for future reference.



DANGER

If you smell gas:

- Shut off gas to the appliance.
- Extinguish any open flame.
- If odor continues, keep away from the appliance and immediately call your gas supplier or fire department.



WARNING

- Do not store or use gasoline or other flammable vapors and liquids in the vicinity of this or any other appliance.
- An LP-cylinder not connected for use should not be stored in vicinity of this or any other appliance.

This appliance was designed and made in accordance with EN14543:2017 (BS EN 14543:2017 for UKCA) and to demonstrate compliance with the essential requirements of Gas Appliance Regulation (EU) 2016/426.

Never use different kind and always according to the National Rules in force of the country of destination. These components should be periodically substituted, according to the date reported on the body of each of them, or according to the National Rules in force of the country of destination.

GAS FIREPIT SAFETY WARNINGS

- An amply ventilated area must have a minimum of 25 % of the surface area open.
- The surface area is the sum of the walls surface.
- Do not obstruct the ventilation holes of the cylinder housing.
- This appliance must be used, and the gas cylinder stored, in accordance with the regulations in force.
- WARNING: THIS APPLIANCE HAS A NAKED FLAME, A SUITABLE GUARD SHOULD BE USED FOR THE PROTECTION OF YOUNG CHILDREN, THE ELDERLY AND THE INFIRM.**
“The appliance must be installed according to the instructions and National Rules in force of the country of destination.”
- Read the instructions carefully before using this appliance-Never use this appliance indoors, on vehicles or boat.
- If the instructions of this manual are not exactly followed, dangerous situation may come up; make sure all parts are in proper place.
- Any modifications of the appliance may be dangerous; improper installation, adjustment, alteration, service or maintenance may cause personal injury or property damage.
- Installation and repair must be performed by a Qualified Service, Agency or Gas Supplier; never do it by your-self!
- Never use this appliance until all connections have been leakage tested. Never put it into operation if any leakage is detected; check leakage all the time by soapy foam (never using a flame). In case of gas leakage, appliance should not be used, shut-off gas supply and the appliance must be investigated and rectified by Qualified Service, Agency or Gas Supplier before it is used again.
- Appliance must be attended all the time while in operation and never attempt to disconnect gas regulator or gas fittings.
- This is a decorative appliance only and any kind of cooking is strictly forbidden. Never use charcoal or any other solid fuel but lava rocks supplied with the appliance.
- Do not burn rubbish and any other materials throw on this appliance; do not pour water into the appliance.
- Do not store or use gasoline or other flammable vapours and liquids in the vicinity of this or any other appliance.
- Use only gas type (see adjustment in “Specification” section and also Appliance Marking on the appliance) specified by the manufacturer.
- Use only gas cylinder specified by the manufacturer.
- Shut-off the valve of the gas cylinder or the gas regulator before moving the appliance.
- Do not move the appliance during use. Once it has been turned in “OFF” position, wait temperature has cooled down (at least 30 minutes).

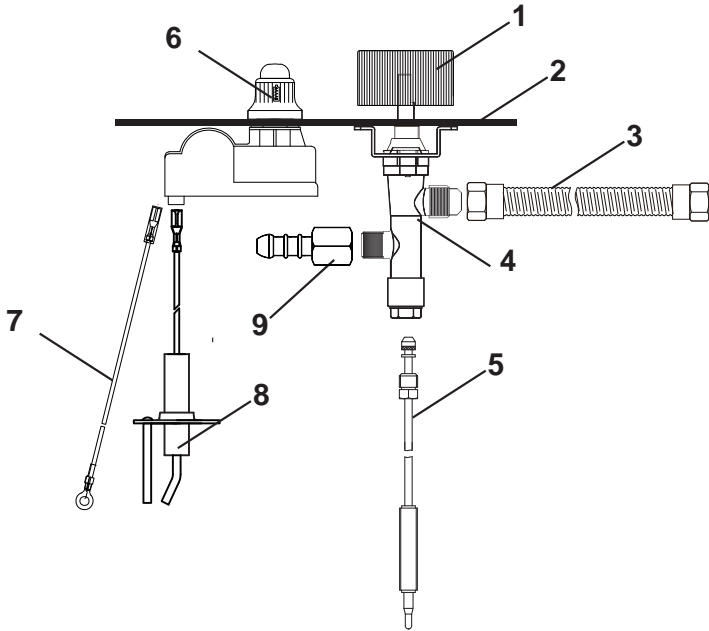
GAS FIREPIT SAFETY WARNINGS

- Always use the appliance on a horizontal not combustible surface to keep it stable.
- Check that the gas regulator seal is correctly fitted and able to fulfil its function.
- Turn off the gas supply at the gas cylinder after use.
- Flexible metal or rubber pipe, used to connect the appliance with the gas cylinder must be changed within the prescribed intervals and according to the National Rules in force (see expiry date on the flexible metal or rubber pipe).
- Check flexible metal or rubber pipe used at least once per month and while gas cylinder is changed. If it shows sign of cracking, splitting or deterioration, it should be exchanged for a new of the same length and of equivalent quality.
- The appliance should be inspected before using and at least one time a year (see “Maintenance”).
- A temperature less than 5 °C will cause restricted gas flow and the appliance will not work properly.
- Do not put in fire or trash. After use, handle as recycle hazardous.
- Take battery out when appliance is not supposed to be used for a long period of time.
- Warning: accessible parts may be very hot. Keep young children away.
- People should be warned of the hazards of high surface temperatures and should stay away to avoid burns or clothing ignition.
- If fire should go out, turn gas supply in “OFF” position and wait for 2 minutes before attempting to relight.
- Children should be carefully supervised when they are in the area of the appliance; never let them to use this appliance.
- Clothing or other flammable materials should not be hung from the appliance, or placed near the appliance.
- The minimum distances to be respected from non protected combustible materials at least 1.2m.
- This appliance must be kept away from flammable materials.
- Do not put any other fireplace cover or anything flammable on, beneath or beside the appliance.
- Do not rest feet on appliance while in operation.
- Keep any electrical supply cord and rubber pipe away from any heated surface.
- Any sealed parts by Manufacture or his agent can not be altered by the user.

WARNING: THIS APPLIANCE HAS A NAKED FLAME; A SUITABLE GUARD SHOULD BE USED FOR THE PROTECTION OF YOUNG CHILDREN, THE ELDERLY AND THE INFIRM.

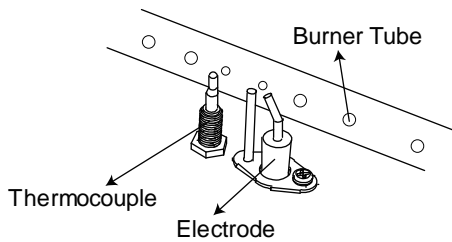
EXPANDED VIEW

Connection of Control Part



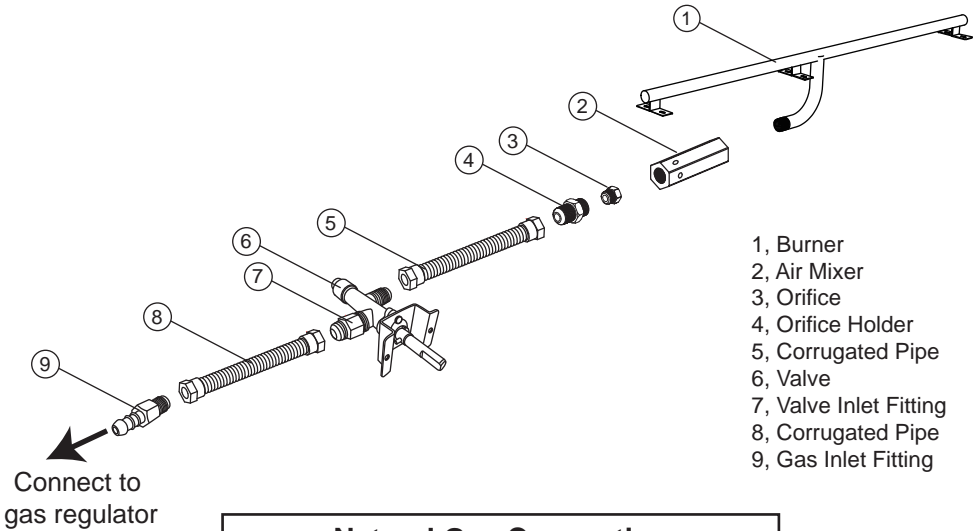
- 1, Knob
- 2, Control Panel
- 3, Corrugated Pipe
- 4, Valve
- 5, Thermocouple
- 6, Igniter
- 7, Ground Wire
- 8, Electrode
- 9, Valve Inlet Fitting

Connection of Ignition Part

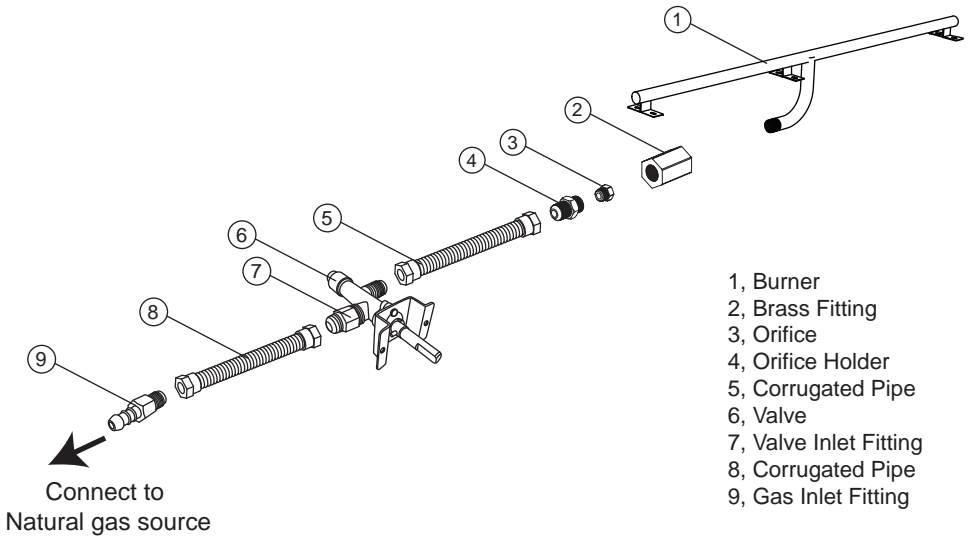


EXPANDED VIEW

Propane / Butane / LPG Connection



Natural Gas Connection



INSTALLATION

If you are connecting to a fixed gas installation, an authorized gas technician should be used to connect the gas supply.

If you use a standard propane bottle, it can be connected by the person installing the appliance. It's just like connecting to a gas barbecue. If you have gas delivery through underground pipes, you must get help from a gas technician.

DESIGN

Select a Suitable Location

Gas Fire pits must be located at a safe distance from your house, or any combustible structure, such as a shed, or wooden fence etc. Never install a gas fire pit close to a power source, or overhanging power cable. Also, before you decide on the installation spot, make sure that there are no electric cables or other services under the ground.

Generally, a distance of at least 3 meters from nearby structures is recommended. Do not install under any form of roof covering, or near overhanging trees etc. Never use a gas Fire pit inside your home.

Fire pits are for outdoor ONLY.

Apart from the safety aspect, you also have to consider the aesthetics and functional use of your Fire pit. It needs to “blend in” and “stand out”, as it will quickly become the main focal point of your garden. Gas Fire pits are usually installed in some form of concrete or brick structure, to match the surrounding patio area. You will also need some form of seating surrounding your Fire pit. This can either be a permanent structure as part of your landscaping, or simply use your existing outdoor patio furniture. If using permanent seating you must consider the ideal distance from seat to Fire pit, so you keep safe, as well as keep warm. A typical distance from the center of the fire pit, to the edge of the seating would be around 1.3 meters.

Ventilation

Plan to allow proper ventilation. Vents placed on opposite sides are REQUIRED to prevent unburned gas from collecting and causing an explosion. Propane/Butane is heavier than air so vents should be placed closer to the bottom to allow any unburned gas to escape. Natural gas is lighter than air, so vents should be placed closer to the top.

BUILD

What you build will depend on the type, size and shape of your Fire pit and the design of your garden. We cannot cover all conceivable designs and options, but have included some “generic” installation ideas, and tips.

Warning: All fire pits will need ventilation holes at the base of the Fire pit. Don't block the vents at the bottom of the fire table. These air vents should be positioned at ground level.

There are FOUR very good reasons to provide these.

- 1, They allow rainwater to escape from inside the pit, to the surrounding patio area. Without them, your fire pit would quickly fill with water, which could cause damage to your fire pit burner and invalidate the warranty.
- 2, They allow air to be drawn in, which could cause damage to your fire pit burner and invalidate the warranty.
- 3, They allow air to be drawn in, under the fire pit burner. This aids combustion, and produce larger flames.
- 4, The area under the burner can become extremely hot. Air vents will allow this excess heat to dissipate.

Propane/Butane/LPG Gas is heavier then air, and any un-burnt gas will collect inside the base of your Fire pit. Without ventilation holes to allow this gas to escape, gas will gradually build up, until it reaches an ignition source, where it will explode with great force. This could cause serious injury.

Location

If putting your fire pit in grass, mark an area the same size as the fire pit and remove all grass, sod, and roots. Remove 5cm of soil within the same area. Be sure to level the soil where your fire pit will be built and add between 2.5-5cm of paver base. Pack the paver base and use a level throughout the process.

INSTALL

Placing the lava rock

- Place lava rock by hand. DO NOT dump bag out into tray to avoid clogging the burner with dust.
- Position the lava rock to a level about 1-2cm above the top of the burner. Make sure that you do not block the igniter box with lava rock to ensure proper ignition.



CORRECT



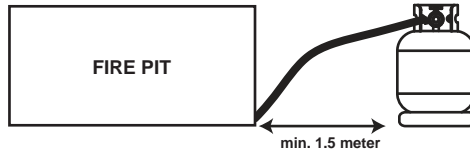
INCORRECT

NOTE: When you want to move or cleanup the lava rocks, make always sure that they have cooled down completely.

INSTALL

Placing the bottle

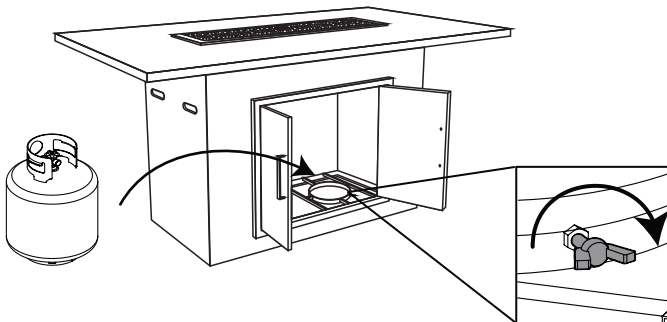
- Make sure the gas bottle stand stable on a non-flammable surface.
- Place the gas bottle at a min. distance of 1.5 meter from the built in burner. Be careful by placing the gas hose, people and pets can stumble over it. Indeed place the cylinder therefore always at a place where walking along is not possible and where children and pets cannot reach.
- LPG Gas hose should be checked annually to ensure it is in good condition.
- When the appliance is not being used for prolonged periods the hose should be disconnected from the appliance and the regulator disconnected from the cylinder. The assembly should then be stored in accordance with recommended practices.



Connect the gas bottle to the unit

The gas regulator varies by country. Use a gas regulator that complies with local regulations.

1. Attach the hose to the manifold inlet nipple and tighten hose clip. Ensure that all connecting threads and surfaces are undamaged, clean and free from dirt. When fitting the hose make sure that it is free from twisting, kinks or sharp bends. Do not allow the hose to touch any hot surface or sharp edges.
2. Attach the regulator to the gas cylinder. Refer to the instructions supplied with the regulator for details regarding fitting.
3. Test for gas leaks. Do a leak test each time the cylinder is installed, whether or not it has been filled. Remember to turn the cylinder valve OFF before removing the hose.
4. Be sure to protect the hose from any hot surfaces. Serious danger may result if the hose contacts any hot surface.
5. If the gas bottle is hidden inside the fire table. Place the gas bottle in the metal stand inside body and make sure the gas bottle sits on the metal stand completely. Turn the wing screw on the outer part of metal stand clockwise to secure the gas bottle tightly.



⚠ WARNING

- Only one gas bottle can be placed inside.
- Do not store other gas bottle inside.

INSTALL

Connect the natural gas to the unit

1. Attach the hose to the manifold inlet fitting with a national standard NG connector and secure the hose to the manifold inlet fitting.

Ensure that all connecting threads and surfaces are undamaged and clean. When fitting the hose make sure that it is free from twisting, kinks or sharp bends. Protect the hose from any sharp edges.

2. Attach one end of the hose to the main shut off valve of city network gas.

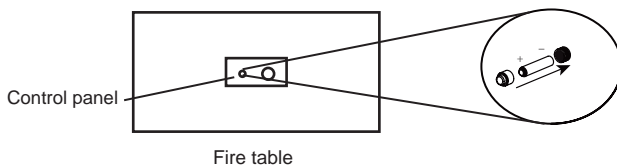
3. Do a leak test each time when the gas connection is reconnected. If the hose shows deterioration or damage, leak test the entire outer surface. Remember to turn the city network gas OFF before removing the hose.

WARNING

- Installation and service must be performed by a qualified installer, service agency or gas supplier.
- Improper Installation, adjustment, alteration, service or maintenance can cause injury or property damage.

Placing the battery

Make sure the gas supply system is turned to "OFF". Install the AAA battery as shown in the diagram below.



LEAKAGE TESTING

WARNING

Before using this outdoor fire table, make sure you have read, understand and are following all information provided in the Important Safety Information section of this manual. Failure to follow those instructions can cause death, serious injury or property damage.

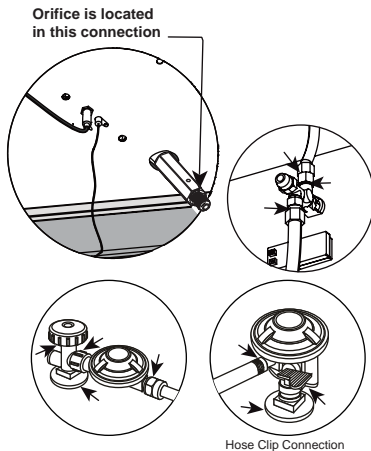
- Prior to each gas fireplace operation, check the hose and valve for evidence of excessive abrasion or wear though the visual check hole on the side of the base. Replace visual check cap prior to operating fireplace.

Burner connections

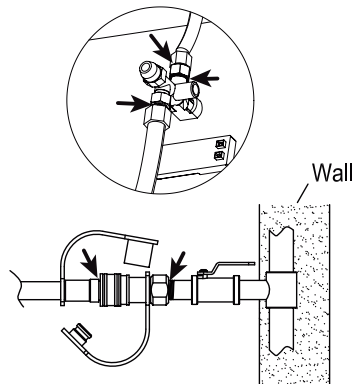
Make sure the regulator valve and hose connections are securely fastened to the burner and the bottle. If your unit was assembled for you, visually check the connection between the burner pipe and orifice. Make sure the burner pipe fits over the orifice.

Checking for Leaks

1. Make a leak check solution by mixing 1-part dish washing soap with 3 parts water in a spray bottle.
2. Make sure control knob is "OFF." Then, turn propane or natural gas on at its source.
3. Spray leak solution on valve connections paying particular attention to the areas indicated by arrows.
4. If any bubbles appear turn propane or natural gas off, reconnect and re-test. If you continue to see bubbles after several attempts, disconnect propane or natural gas source and contact ELEMENTI. If no bubbles appear after one-minute turn source OFF, wipe away solution and proceed.



Check for leaks at these locations
For Propane/Butane Unit



Check for leaks at these locations
For Natural Gas Unit

LIGHTING INSTRUCTIONS

Using the Ignitor

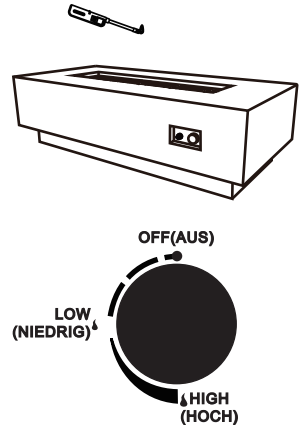
1. Read instructions before lighting.
2. Control knob must be in the "OFF" position.
3. Connect propane cylinder, slowly open valve on LP gas cylinder.
4. Push and hold igniter button to create sparks.
5. While holding the igniter button with one hand, use your other hand to push and turn the control knob to the "LOW" position to light the burner.
6. If ignition does not occur in 5 seconds, push and turn the Control Knob to "OFF", wait 5 minutes and allow gas to dissipate.
7. Once the burner is lit, continue to hold the knob in for another 20 seconds and release.
8. Observe flame, make sure all burner ports are lit.
9. Adjust flame to desired flame with the control knob.



If the lighting procedure in these instructions is not followed exactly, a fire or explosion may result causing property damage, personal injury or loss of life.
Keep the lava rock covered and make sure it is dry before igniting.

Using a Long Match or Lighter

1. Prior to lighting, use a shovel to move lava rocks for access to the burner.
2. Wearing heat resistant gloves, position the burning long match or burning butane lighter near the side of the burner. DO NOT lean over the fire table while lighting!
3. Turn control knob counterclockwise to "LOW".
4. Remove long match/long butane lighter.
5. After lighting, use a shovel and heat resistant gloves to carefully move the lava rocks back into their proper position.
6. Observe flame, make sure all burner ports are lit.
7. Adjust the flame to the desired height with the control knob.



WARNING

If burner flame goes out during operation, immediately turn the control knob "OFF" and let the gas clear a minimum of 5 minutes before attempting to re-light the fire table.



WARNING

When using this method to light your fire table use heat resistant gloves and follow the step by step instructions. Failure to do so could result in severe injury.

TURNING OFF

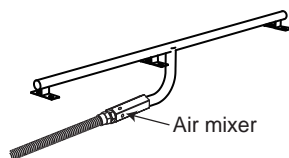
1. Turn and push the control knob clockwise to the "OFF" position.
2. Turn the valve on the gas bottle to close.

MAINTENANCE AND CLEANING

Inspecting

This outdoor fire table must be inspected regularly to insure that the product is safe to use and to extend product life.

- Check the burner to make sure it is securely in place.
- Check the air mixer to make sure it is clear and free of insects, spider nests and other debris(see picture).
- Check all gas connections for leaks.
- Check ignition system to insure proper sparking.
- Check components for any signs of damage, rust or excessive wear.
- If damage to any component is detected, DO NOT operate until the proper repairs have been made.



WARNING

DO NOT inspect this outdoor fireplace until the fire is COMPLETELY out.



WARNING

DO NOT tamper with this appliance. This is DANGEROUS and will void the warranty. Any part found to be faulty must be replaced with an approved part, confirmed by manufacturer. For technical support contact ELEMENTI.

General Care and Cleaning

Stainless Steel

- For general cleaning use warm water, soap, ammonia, or detergent apply with a soft cloth or Sponge
- For finger prints or stubborn stains use Stainless Steel Cleaner and Polish or Stainless Shine, apply using a soft cloth in the same direction of the polish lines.
- While using in salt air environments we recommend cleaning all stainless steel surfaces at least every two weeks to keep the item in prime condition. Stainless steel is corrosion-resistant but it is not impervious to rust. Exposure to salt air and sea spray will cause surface rust if you do not care for your products properly.
- The best thing you can do to protect the stainless steel is to clean it frequently.

Fire Table Surface

Please see below for recommendations on maintaining your fireplace surface for years of extended use:

- Clean any spills immediately to prevent permanent surface(s) staining or damage to your fireplace.
- Blot any liquid spills with a clean, dry cloth to avoid spreading of the spill to the rest of the fireplace.
- Immediate cleaning of stains / blotting of spills also prevents absorption of such stains / spills into the surfaces, compared to if such stains / spills are left for extended periods on these surfaces.

How to apply a water based sealer:

- 1, This outdoor fireplace should be maintained regularly(normally 3 to 6 months) to ensure safe use and extend product life.
- 2, Please ensure all treatment with dust-free. Wipe the sealers on the concrete surface slight with a soft rags, then wipe off the residual after concrete surface dry completely.

MAINTENANCE AND CLEANING

How to Clean your Fire table surface:

- 1, Mix a mild dish soap into warm clean water, use a soft, clean cloth or sponge.
- 2, Then proceed to remove surface dirt, stains or mild spills.
- 3, Rinse all soap solution off from the surfaces with a damp cloth.
- 4, Dry off completely with a dry cloth to avoid water spots / water marks.
- 5, Regularly cleaning the fireplace surface will aid in a longer lasting product.

Warming

- DO NOT use petroleum-based or abrasive cleaning products.
- DO NOT use any harsh brushes / rough sponges when cleaning the fireplace surface(s).
- DO NOT slide products across the fireplace surface(s) to avoid permanent scratching and or damage(s).
- DO NOT place any food on the surface(s) of the fireplace.
- DO NOT eat from the surface(s) of the fireplace surface.
- Fireplace surface must be covered at all times when not in use.
- Cover your product when not in use to protect it from the elements.
- Store your product indoors during winter months.
- Avoiding extreme cold temperatures, as extreme cold temperatures may cause cracking of the tabletop.

STORAGE

- Turn control knob in “OFF” position.
- Turn LPG cylinder in “OFF” position.
- Store the appliance in a cool, dry location away from children and pets, protected from weather and wind, and not in direct sunlight.
- DO NOT store in a location where the temperature will exceed 50 ° C.
- ALWAYS cover your outdoor fire table when not in use.
- Note: Wait until the appliance has cooled down before covering.

TROUBLESHOOTING

Problem: Burner will not light

Possible Cause 1: Control knob is not in Maximum position (big flame).

-Turn control knob in Maximum position (big flame).

Possible Cause 2: Gas bottle valve is closed / Gas bottle empty.

-Open the valve / Replace gas bottle with a new one.

Possible Cause 3: Blockage in the orifice (injector).

-Clean or replace orifice (injector).

Possible Cause 4: Air in the gas circuit.

-Open gasline and bleed it (pressing control knob in) for not over 1 minute or until you smell gas.

Possible Cause 5: Low gas pressure.

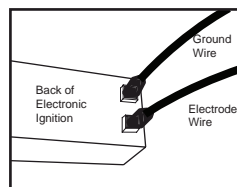
-Replace LPG cylinder with a new one.

Possible Cause 6: Igniter fails. (Do not hear a clicking sound or see a spark in the igniter housing).

-Use match to light burner.

-Change battery or obtain new igniter and replace it.

-Look under the fire table and make sure that the electrode wire is correctly inserted into the back of the electronic ignition box. While inspecting the electrode wire, make sure that it is not cut or broken in any place. If the wire has been damaged contact your dealer.



Problem: Burner will not stay lit

Possible Cause 1: Dirty build up around burner.

-Clean dirty around the burner.

Possible Cause 2: Low flames or not full running around the burner.

-Flame spreader holes partially closed; Clean the burner.

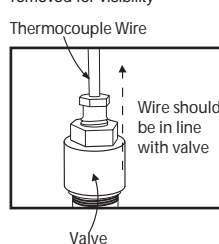
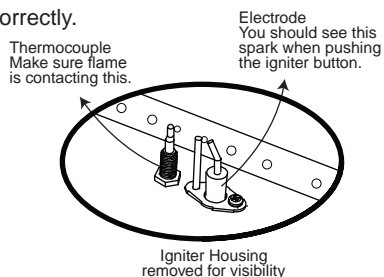
Possible Cause 3: Thermocouple / Electrode is not operating correctly.

- Thermocouple: The thermocouple tip should be located close to the burner, aligned with a burn port so that flames contact it directly. Make sure the flames are making contact with the thermocouple tip.

- Electrode: The electrode is where the spark is generated to ignite your fire table. Make sure that you can see this sparking when the igniter button is pushed.

Possible Cause 4: Damaged Thermocouple

-If the igniter housing and the thermocouple tip are clear of debris and the flame is clearly contacting the tip of the thermocouple, but the fire table will still not stay lit, the thermocouple may be damaged. Look beneath the table and find the copper thermocouple wire coming out of the back of the valve. Examine the length of it for any signs of damage. Sharp bends, kinks or damage can cause the thermocouple to not function correctly. If you find damage to the thermocouple contact your dealer for a replacement.



TROUBLESHOOTING

Possible Cause 5: High Winds

-Your fire table is designed to operate in winds up to 3 m/s. High winds may cause the flame to blow out. Do not operate your fire table in high wind conditions.

Problem: Burner flame is low.

Note: Do not operate appliance below 5 °C

Possible Cause 1: Outdoor temperature is greater than 5 °C and gas bottle is less than 25% full.

-Replace gas bottle with a new one.

Possible Cause 2: Gas pipe is bent or kinked.

-Straighten hose and perform leakage test on gas pipe.

Other Problem

Carbon build-up

Possible Cause: Dirty or film on burner.

-Clean burner.

Flash black(flame inside burner)

Possible Cause: Burner ports are blocked.

-Switch OFF the appliance. Close LPG cylinder valve. Wait 2 minutes, following the ignition procedure. Ignite burner. If problem continuous, switch-off. Contact your dealer.

Thick Black smoke

Possible Cause: Blockage in the burner.

-Turn control knob to "OFF" position, let the appliance to cool at room temperature and remove blockage and clean burner inside and outside.

Warranty

Ocean Rock EU GmbH doing business as Elementi, warrants Elementi fire features and accessories to be free from defects in parts and workmanship under normal use and service for a period of 1 year from the date of purchase. In the event of such defects Elementi will, at its option, repair or replace the defective product. The foregoing is at the discretion of Elementi.

There will be no charge for the replacement parts or product, however it will be the consumer's responsibility to return the product to the original place of purchase.

Elementi will not be responsible for consequential damages in excess of the purchase price of the product on which such liability is based and the warranty does not cover costs including freight, removal and reinstallation.

This warranty is non-transferable and applies only for units that are for non-commercial personal use only.

Under this warranty agreement, all gas lines must be installed by a licensed gas fitter.

Damage caused by shipping, staining and abuse are not covered under this warranty. Dings, dents and scratches, fading and natural weathering are not covered under this warranty.

Decorative rock is not covered under this warranty. Improper installations, repair or modifications made by anyone other than Elementi will void this warranty and any damage caused by such is also not covered under this warranty.

Minor chipping, weather fading, water staining and non-structural hairline cracks are typical of the material of this product and are not covered under this warranty. Some color and texture variation is typical of the material and finish for this product and is not covered under this warranty.

Cast concrete is a hand finished process. As such, this product's finish will vary by unit. There will be a color variance of up to 15% in each unit. There may also be uneven texture or pattern as well as small holes in the surface caused by air or water trapped on the surface during casting. This is a normal trait of cast concrete and is not covered under warranty.

Deutsch



WICHTIG
DIE ANLEITUNG
AUFBEWAHREN



WARNUNG

Nur für die Benutzung im Freien.
NICHT zum Kochen verwenden.
NICHT unter einer Überdachung verwenden.



WARNING

- Wenn die Anweisungen in diesem Handbuch nicht genau befolgt werden, kann es zu einem Brand oder einer Explosion kommen, die zu Sachschäden, Verletzungen oder zum Verlust des Lebens führen kann.
- Installation und Wartung müssen von einem qualifizierten Fachmann, einer Servicestelle oder einem Gaslieferanten durchgeführt werden. Eine unsachgemäße Installation, Einstellung, Änderung, Wartung oder Instandhaltung kann zu Verletzungen oder Sachschäden führen.
- Lesen Sie die Installations-, Betriebs- und Wartungsanleitung sorgfältig durch, bevor Sie das Gerät installieren oder warten.
- Bewahren Sie diese Anleitung zum späteren Nachlesen auf. Wenn Sie das Gerät für eine andere Person aufbauen, geben Sie ihr diese Anleitung zum Lesen und bewahren Sie die Anweisungen zum späteren Nachschlagen auf.



GEFAHR

Falls Sie Gas riechen:

- Stellen Sie die Gaszufuhr zum Gerät ab.
- Löschen Sie alle offenen Flammen.
- Wenn der Geruch anhält, halten Sie sich vom Gerät fern und rufen Sie sofort Ihren Gasversorger oder die Feuerwehr an.



WARNUNG

- Lagern oder verwenden Sie kein Benzin oder andere brennbare Dämpfe und Flüssigkeiten in der Nähe dieses oder eines anderen Geräts.
- Eine nicht angeschlossene Flüssiggasflasche sollte nicht in der Nähe dieses oder eines anderen Geräts gelagert werden.

Dieses Gerät wurde in Übereinstimmung mit EN14543:2017 (BS EN 14543: 2017 für UKCA) und gemäß den grundlegenden Anforderungen der Gasgeräteverordnung (EU) 2016/426 entwickelt und hergestellt.

Verwenden Sie niemals eine andere Art Gasleitung und halten Sie sich immer an die geltenden nationalen Vorschriften des Bestimmungslandes. Diese Komponenten sollten regelmäßig ausgetauscht werden, entsprechend auf dem Gehäuse angegebenen Datum oder gemäß den geltenden nationalen Vorschriften des Bestimmungslandes. Flüssiggasflaschen sind nicht im Lieferumfang enthalten und müssen je nach Gasbehälterform und Flaschenhalterung gekauft werden.

GAS-FEUERSTELLE WARNHINWEISE

- Ein ausreichend belüfteter Bereich muss mindestens 25 % der Oberfläche offen haben.
- Die Fläche ist die Summe der Wandflächen.
- Die Ventilationsöffnungen des Zylindergehäuses dürfen nicht verdeckt werden.
- Die Verwendung dieses Geräts und die Lagerung der Gasflasche müssen gemäß den geltenden Vorschriften erfolgen.
- **WARNUNG: DIESES GERÄT HAT EINE OFFENE FLAMME, ZUM SCHUTZ VON KLEINEN KINDERN, ÄLTEREN UND GEBRECHLICHEN MENSCHEN SOLLTE EIN GEEIGNETER SCHUTZ VERWENDET WERDEN.**

“Das Gerät muss gemäß den im Bestimmungsland geltenden Anweisungen und nationalen Vorschriften installiert werden.”

- Lesen Sie die Anweisungen sorgfältig durch, bevor Sie das Gerät verwenden. Verwenden Sie das Gerät niemals in Innenräumen, Fahrzeugen oder auf Booten.
- Wenn die Anweisungen in diesem Handbuch nicht genau befolgt werden, kann es zu gefährlichen Situationen kommen; vergewissern Sie sich, dass sich alle Teile an der richtigen Stelle befinden.
- Jegliche Änderungen am Gerät können gefährlich sein; eine unsachgemäße Installation, Anpassung, Änderung, Wartung oder Instandhaltung kann zu Personen- oder Sachschäden führen.
- Die Installation und Reparatur muss von einem qualifizierten Service, einer Agentur oder einem Gasversorger durchgeführt werden; führen Sie dies niemals selbst durch!
- Nehmen Sie das Gerät niemals in Betrieb, bevor Sie nicht alle Anschlüsse auf Dichtheit geprüft haben. Wenn Sie eine Undichtheit feststellen; prüfen Sie diese immer mit Seifenschaum (niemals mit einer Flamme). Bei einem Gasleck darf das Gerät nicht in Betrieb genommen werden, die Gaszufuhr ist abzuschalten und das Gerät muss von einem qualifizierten Kundendienst oder einem Gasversorger untersucht und repariert werden, bevor es wieder in Betrieb genommen wird.
- Das Gerät muss während des Betriebs ständig beaufsichtigt werden. Es darf niemals versucht werden, den Gasregler oder die Gasanschlüsse zu trennen.
- Dieses Gerät ist nur zur Dekoration gedacht. Jede Art von Kochen ist strengstens untersagt. Verwenden Sie niemals Holzkohle oder andere feste Brennstoffe, sondern nur die mit dem Gerät gelieferten Lava-Steine.
- Verbrennen Sie keine Abfälle oder andere Materialien auf dem Gerät; gießen Sie kein Wasser in das Gerät.
- Lagern oder verwenden Sie kein Benzin oder andere brennbare Dämpfe und Flüssigkeiten in der Nähe dieses oder eines anderen Geräts.
- Verwenden Sie nur die vom Hersteller angegebene Gasart (siehe Angaben im Abschnitt "Technische Daten" und die Gerätekennzeichnung auf dem Gerät).
- Nur vom Hersteller angegebene Gasflasche verwenden.
- Schließen Sie das Ventil der Gasflasche oder den Gasregler, bevor Sie das Gerät bewegen.
- Bewegen Sie das Gerät während des Gebrauchs nicht. Nach dem Drehen in die „OFF“-Position ist die Temperatur abgekühlt (mindestens 30 Minuten).

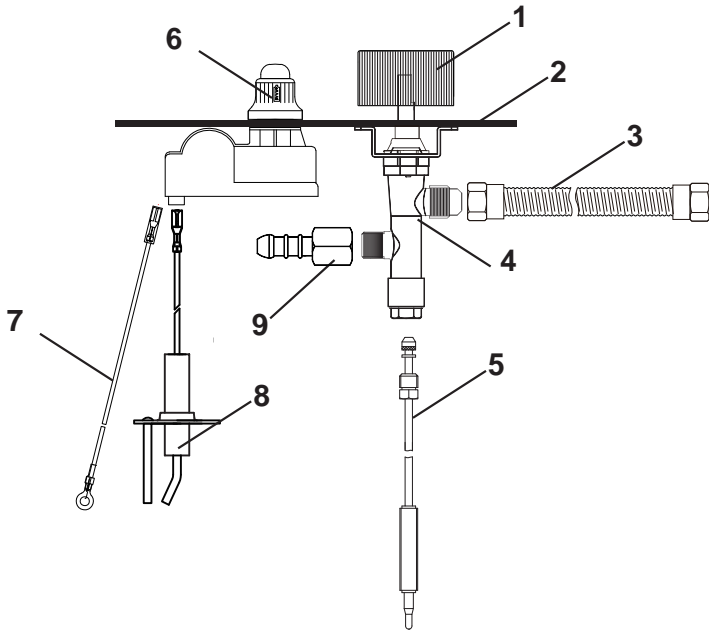
GAS-FEUERSTELLE WARNHINWEISE

- Stellen Sie das Gerät immer auf eine waagerechte, nicht leicht entzündliche Oberfläche, um es stabil zu halten.
- Prüfen Sie, ob die Dichtung des Gasreglers korrekt montiert ist und ihre Funktion erfüllen kann.
- Drehen Sie die Gaszufuhr an der Gasflasche nach Gebrauch zu.
- Die flexible Metall- oder Gummileitung, die zum Anschluss des Geräts an die Flüssiggasflasche verwendet wird, muss innerhalb der vorgeschriebenen Intervalle und gemäß den geltenden nationalen Vorschriften ausgetauscht werden (siehe Ablaufdatum auf der Metall- oder Gummileitung).
- Prüfen Sie die verwendeten flexiblen Gasleitungen mindestens einmal im Monat und beim Wechsel der Gasflaschen; wenn sie Anzeichen von Rissen, Rissbildung oder Verschlechterung aufweisen, sollten sie gegen neue Leitungen gleicher Länge und Qualität ausgetauscht werden.
- Das Gerät sollte vor dem Gebrauch und mindestens einmal im Jahr überprüft werden (siehe "Wartung").
- Eine Temperatur von weniger als 5 °C führt zu einem eingeschränkten Gasfluss und das Gerät wird nicht ordnungsgemäß funktionieren.
- Das Gerät darf nicht ins Feuer oder in den Abfall geworfen werden. Nach Gebrauch als recycelbaren Gefahrenstoff entsorgen.
- Nehmen Sie die Batterie heraus, wenn das Gerät über einen längeren Zeitraum nicht benutzt werden soll.
- Warnung: Zugängliche Teile können sehr heiß sein. Halten Sie kleine Kinder vom Gerät fern.
- Die Menschen sollten vor den Gefahren der hohen Oberflächentemperaturen gewarnt werden und sich fernhalten, um Verbrennungen oder die Entflammung von Kleidung zu vermeiden.
- Sollte das Feuer erlöschen, drehen Sie die Gaszufuhr auf "OFF" und warten Sie 2 Minuten, bevor Sie versuchen das Feuer erneut anzuzünden.
- Kinder sollten sorgfältig beaufsichtigt werden, wenn sie sich in der Nähe des Geräts aufhalten; lassen Sie sie dieses Gerät niemals benutzen.
- Kleidung oder andere brennbare Materialien sollten nicht an das Gerät gehängt oder in der Nähe des Geräts abgelegt werden.
- Der einzuhaltende Mindestabstand zu nicht geschützten brennbaren Materialien beträgt mindestens 1,2m.
- "Dieses Gerät muss von brennbaren Materialien ferngehalten werden".
- Legen Sie keine anderen Kaminabdeckungen oder brennbare Gegenstände auf, unter oder neben das Gerät.
- Legen Sie während des Betriebs nicht die Füße auf das Gerät.
- Halten Sie Stromkabel und Gummischläuche von allen beheizten Flächen fern.
- Die vom Hersteller oder seinem Vertreter versiegelten Teile dürfen vom Benutzer nicht verändert werden.

WARNUNG! DIESES GERÄT HAT EINE OFFENE FLAMME; ZUM SCHUTZ VON KLEINEN KINDERN, ÄLTEREN UND GEBRECHLICHEN MENSCHEN SOLLTE EIN GEEIGNETER SCHUTZ VERWENDET WERDEN.

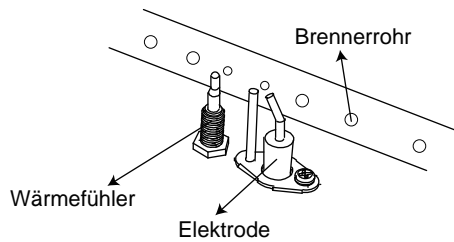
ERWEITERTE ANSICHT

Anschluss des Steuerungsteils



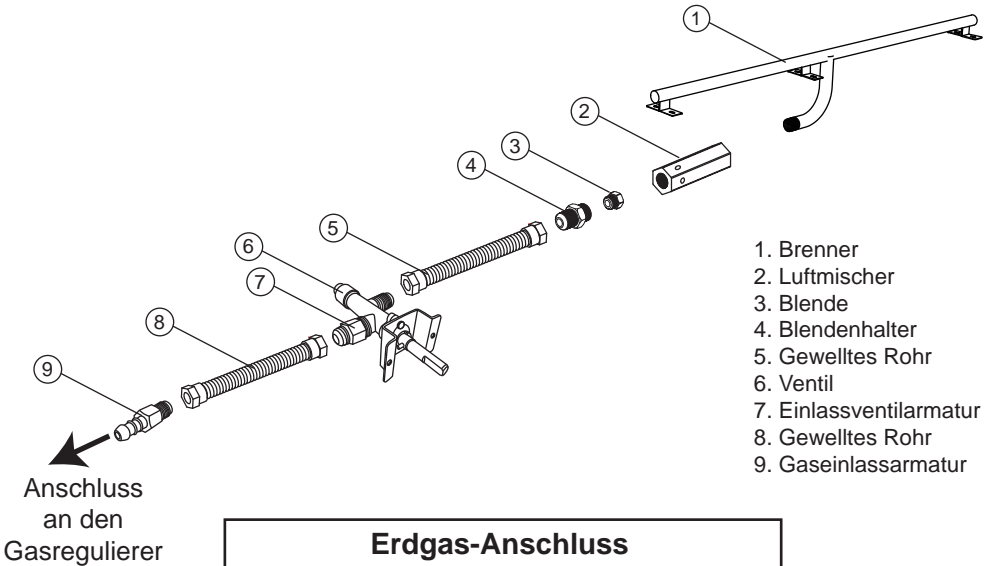
1. Drehknopf
2. Bedienfeld
3. Gewelltes Rohr
4. Ventil
5. Wärmefühler
6. Zünder
7. Erdungsleitung
8. Elektrode
9. Einlassventilarmatur

Anschluss des Zündungselements

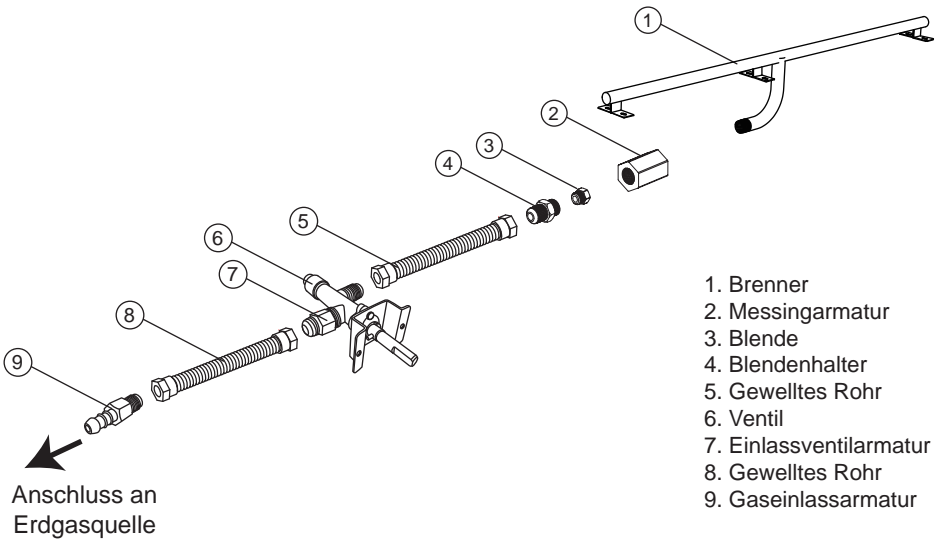


ERWEITERTE ANSICHT

Propan / Butan / Flüssiggas Anschluss



Erdgas-Anschluss



INSTALLATION

Wenn Sie das Gerät an eine feste Gasinstallation anschließen, sollte ein autorisierter Gastechniker mit dem Anschluss der Gasversorgung beauftragt werden.

Wenn Sie eine handelsübliche Propangasflasche verwenden, kann diese von der Person, die das Gerät installiert, angeschlossen werden. Das ist wie beim Anschluss eines Gasgrills. Wenn Sie aber Gas über unterirdische Leitungen beziehen, müssen Sie einen Gastechniker zu Hilfe heranziehen.

DESIGN

Einen geeigneten Standort wählen

Gasfeuerstellen müssen in einem sicheren Abstand zu Ihrem Haus oder einer brennbaren Vorrichtung, wie z. B. einem Schuppen oder einem Holzzaun, aufgestellt werden. Installieren Sie eine Gas-Feuerstelle niemals in der Nähe einer Stromquelle oder einer überhängenden Stromleitung. Vergewissern Sie sich außerdem, bevor Sie sich für einen Aufstellungsort entscheiden, dass sich unter dem Boden keine Stromkabel oder andere Leitungen befinden. Im Allgemeinen wird ein Abstand von mindestens 3 Metern zu benachbarten Bauten empfohlen. Stellen Sie die Feuerstelle nicht unter einer Dachabdeckung oder in der Nähe von überhängenden Bäumen usw. auf. Verwenden Sie eine Gas-Feuerstelle niemals innerhalb Ihres Hauses.

Feuerstellen sind NUR für den Außenbereich bestimmt

Neben dem Sicherheitsaspekt müssen Sie auch die Ästhetik und den funktionalen Nutzen Ihrer Feuerstelle berücksichtigen. Sie muss sich "einfügen" und "hervorstechen", da sie schnell zum Blickfang in Ihrem Garten werden wird. Gasfeuerstellen werden in der Regel in eine Beton- oder Ziegelstruktur eingebaut, die zur umgebenden Gartenfläche passt. Sie benötigen auch eine Art von Sitzgelegenheit um Ihre Feuerstelle herum. Dies kann entweder eine feste Vorrichtung sein, die Teil Ihrer Landschaftsgestaltung ist oder Sie verwenden einfach Ihre vorhandenen Terrassenmöbel. Wenn Sie eine feste Sitzgelegenheit verwenden, müssen Sie den idealen Abstand zwischen Sitz und Feuerstelle berücksichtigen, damit Sie sicher sind und es warm bleibt. Ein idealer Abstand von der Mitte der Feuerstelle bis zum Rand der Sitzgelegenheit beträgt etwa 1,3 Meter.

Lüftung

Sorgen Sie für eine ausreichende Belüftung. Lüftungsöffnungen auf gegenüberliegenden Seiten sind **ERFORDERLICH**, um zu verhindern, dass sich unverbranntes Gas ansammelt und eine Explosion verursacht. Propan/Butan ist schwerer als Luft, daher sollten die Lüftungsöffnungen näher am Boden angebracht werden, damit unverbranntes Gas entweichen kann. Erdgas ist leichter als Luft, daher sollten die Belüftungsöffnungen näher an der Decke angebracht werden.

Das Aufbauen und Errichten der Feuerstelle hängt von der Art, Größe und Form der Feuerstelle und der Gestaltung Ihres Gartens ab. Wir können nicht alle denkbaren Designs und Optionen abdecken, aber wir haben einige "allgemeine" Installationsideen und Tipps aufgenommen.

AUFBAU / GESTALTUNG

Warnung: Alle Feuerstellen benötigen Lüftungsöffnungen an der Unterseite der Feuerstelle. Diese sollten nicht blockiert werden und sollten sich auf Bodenhöhe befinden.

Es gibt VIER sehr gute Gründe, die Belüftungsöffnungen anzubringen:

1. Sie ermöglichen das Entweichen von Regenwasser aus dem Inneren der Feuergrube in den umliegenden Terrassenbereich. Ohne sie würde sich Ihre Feuerstelle schnell mit Wasser füllen, was zu Schäden an Ihrem Brenner und zum Erlöschen der Garantie führen könnte.
2. Sie ermöglichen das Ansaugen von Luft, die zu Schäden am Brenner der Feuerstelle und zum Erlöschen der Garantie führen kann.
3. Sie ermöglichen das Ansaugen von Luft unter dem Brenner der Feuergrube. Dies fördert die Verbrennung und erzeugt größere Flammen.
4. Der Bereich unter dem Brenner kann extrem heiß werden. Durch die Belüftungsöffnungen kann diese überschüssige Wärme abgeleitet werden.

Propan-/Butan-/Flüssiggas ist schwerer als Luft und unverbranntes Gas sammelt sich im Boden der Feuerstelle. Ohne Belüftungsöffnungen, durch die das Gas entweichen kann, staut sich das Gas allmählich auf. Wenn es eine Entzündungsquelle erreicht hat, explodiert es mit großer Kraft. Dies kann zu schweren Verletzungen führen.

Standort

Wenn Sie Ihre Feuerstelle im Gras anlegen, markieren Sie eine Fläche in der Größe der Feuerstelle und entfernen Sie alles Gras, die Rasenstücke und Wurzeln. Entfernen Sie 5 cm des Bodens in diesem Bereich. Eben Sie den Boden an der Stelle, an der die Feuerstelle errichtet werden soll und fügen Sie zwischen 2,5 und 5 cm Pflastersteinunterlage hinzu. Bauen Sie die Pflastersteine ein und verwenden Sie während des gesamten Vorgangs eine Wasserwaage.

INBETRIEBNAHME

Platzierung der Lavasteine

- Platzieren Sie die Lavasteine vorsichtig mit der Hand. Kippen Sie den Beutel NICHT in die Schale, um ein Verstopfen des Brenners mit Staub zu vermeiden.
- Positionieren Sie die Lavasteine etwa 1-2 cm über der Oberseite des Brenners. Achten Sie darauf, dass Sie die Zündbüchse nicht mit Lavagestein blockieren, um eine einwandfreie Zündung zu gewährleisten.



CORRECT



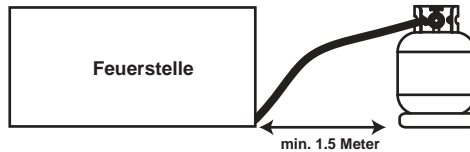
INCORRECT

HINWEIS: Wenn Sie die Lavagesteine entfernen oder säubern wollen, achten Sie immer darauf, dass sie vollständig abgekühlt sind.

INBETRIEBNAHME

Platzierung der Gasflasche

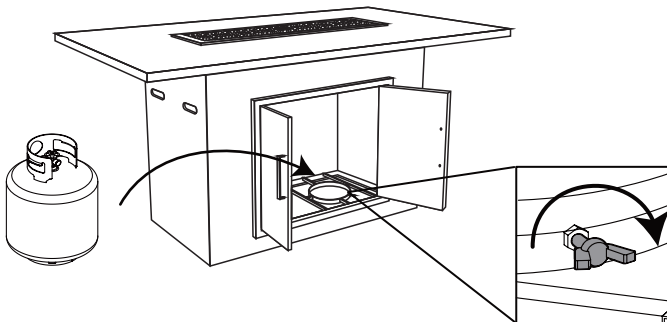
- Achten Sie darauf, dass die Gasflasche stabil auf einer nicht entflammaren Oberfläche steht.
- Stellen Sie die Gasflasche in einem Mindestabstand von 1,5 Metern zum eingebauten Brenner auf. Seien Sie vorsichtig bei der Platzierung des Gasschlauchs, Personen und Haustiere können über diesen stolpern. Stellen Sie die Gasflasche daher immer an einem Ort auf, an dem man nicht vorbeilaufen kann und Kinder und Haustiere sie nicht erreichen können.
- Der Gasschlauch sollte jährlich überprüft werden, um sicherzustellen, dass er in gutem Zustand ist.
- Wenn das Gerät über einen längeren Zeitraum nicht benutzt wird, sollte der Schlauch vom Gerät und der Regler von der Flasche getrennt werden. Die Anlage sollte dann in Übereinstimmung mit den empfohlenen Vorgehensweisen gelagert werden.



Anschließen der Gasflasche an das Gerät

Der Gasregler ist von Land zu Land verschieden. Verwenden Sie einen Gasregler, der den örtlichen Vorschriften entspricht.

1. Befestigen Sie den Schlauch am Einlassnippel des Verteilers und ziehen Sie die Schlauchschelle fest. Vergewissern Sie sich, dass alle Anschlussgewinde und -flächen unbeschädigt, sauber und frei von Schmutz sind. Achten Sie bei der Montage des Schlauchs darauf, dass er nicht verdreht, geknickt oder scharfkantig gebogen ist. Vermeiden Sie, dass der Schlauch mit heißen Oberflächen oder scharfen Kanten in Berührung kommt.
2. Befestigen Sie den Regler an der Gasflasche. Nähere Angaben zur Montage finden Sie in der mit dem Regler gelieferten Anleitung.
3. Prüfen Sie auf eventuelle Gaslecks. Führen Sie jedes Mal eine Dichtheitsprüfung durch, wenn die Flasche installiert wird, unabhängig davon, ob sie gefüllt wurde oder nicht. Denken Sie daran, das Flaschenventil zu schließen, bevor Sie den Schlauch abnehmen.
4. Schützen Sie den Schlauch vor heißen Oberflächen. Wenn der Schlauch mit einer heißen Oberfläche in Berührung kommt, kann dies eine ernsthafte Gefahr darstellen.
5. Wenn die Gasflasche im Inneren des Feuertisches verstaut ist. Setzen Sie die Gasflasche in den Metallständer im Inneren des Gehäuses und stellen Sie sicher, dass die Gasflasche vollständig auf dem Metallständer sitzt. Drehen Sie die Flügelschraube am äußeren Teil des Metallständers im Uhrzeigersinn, um die Gasflasche zu befestigen.



! WARNUNG

- Es kann nur eine Gasflasche darin verstaut werden.
- Legen Sie keine andere Gasflasche hinein.

INBETRIEBNAHME

Anschluss des Erdgassystems an das Gerät

1. Montieren und sichern Sie den Schlauch mit einem genormten Erdgas-Anschluss am Einlassfitting des Verteilers.

Vergewissern Sie sich, dass alle Anschlussgewinde und -flächen unbeschädigt, sauber und frei von Schmutz sind. Achten Sie bei der Montage des Schlauchs darauf, dass er nicht verdreht, geknickt oder scharfkantig gebogen ist. Vermeiden Sie, dass der Schlauch mit heißen Oberflächen oder scharfen Kanten in Berührung kommt.

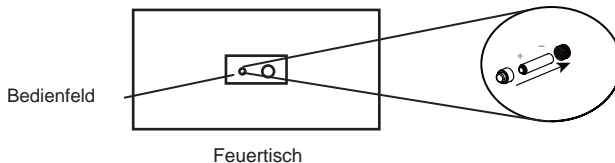
2. Befestigen Sie das eine Ende des Schlauchs am Hauptabsperrentil des städtischen Gasnetzes.
3. Führen Sie jedes Mal eine Dichtheitsprüfung durch, wenn Sie den Gasanschluss wieder anschließen. Wenn der Schlauch eine Verschlechterung oder Beschädigung aufweist, prüfen Sie die gesamte Außenfläche auf Dichtheit. Denken Sie daran, das Stadtgas abzustellen, bevor Sie den Schlauch entfernen.

WARNUNG

- Die Installation und Wartung muss von einem qualifizierten Installateur, einer Kundendienststelle oder einem Gasversorger durchgeführt werden.
- Unsachgemäße Installation, Einstellung, Änderung, Wartung oder Instandhaltung kann zu Verletzungen oder Sachschäden führen.

Einsetzen der Batterie

Vergewissern Sie sich, dass das Gasversorgungssystem auf "OFF" gestellt ist. Setzen Sie die AAA-Batterie ein, wie in der Abbildung unten gezeigt.



LECKAGE-PRÜFUNG

⚠️ WARNUNG

Vergewissern Sie sich vor der Nutzung dieses Outdoor-Feuertisches, dass Sie alle Informationen im Abschnitt "Wichtige Sicherheitsinformationen" in dieser Anleitung gelesen und verstanden haben und diese befolgen. Die Nichtbeachtung dieser Anweisungen kann zum Tod, zu schweren Verletzungen oder zu Sachschäden führen.

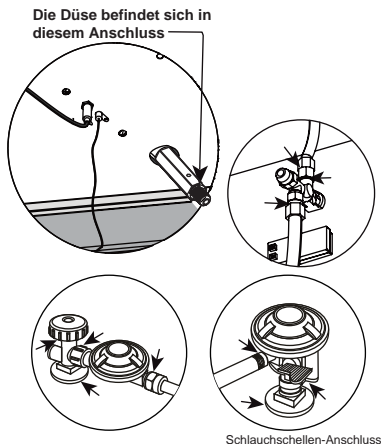
- Überprüfen Sie vor jedem Einsatz des Gaskamins den Schlauch und das Ventil auf Anzeichen von übermäßigem Abrieb oder Verschleiß durch die seitliche Öffnung des Sockels. Schließen Sie wieder die Öffnung vor der Inbetriebnahme der Feuerstelle.

Brenner-Anschlüsse

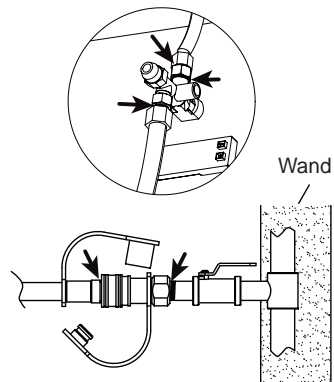
Vergewissern Sie sich, dass das Regulierventil und die Schlauchverbindungen sicher am Brenner und an der Flasche befestigt sind. Wenn Ihr Gerät für Sie zusammengebaut wurde, überprüfen Sie visuell die Verbindung zwischen dem Brennerrohr und der Düse. Stellen Sie sicher, dass das Brennerrohr auf die Düse passt.

Leckage-Prüfung

1. Stellen Sie eine Lösung zur Dichtheitskontrolle her, indem Sie 1 Teil Geschirrspülmittel mit 3 Teilen Wasser in einer Sprühflasche mischen.
2. Vergewissern Sie sich, dass der Drehknopf auf "OFF" steht. Danach schalten Sie das Propan- oder Erdgas an der Gasquelle ein.
3. Sprühen Sie Lecklösung auf die Ventilanschlüsse und achten Sie dabei besonders auf die durch Pfeile gekennzeichneten Bereiche.
4. Wenn Blasen auftreten, schalten Sie das Propan- oder Erdgas ab, schließen Sie es wieder an und testen Sie es erneut. Wenn Sie nach mehreren Versuchen weiterhin Blasen sehen, trennen Sie die Propan- oder Erdgasquelle und wenden Sie sich an ELEMENT1. Wenn nach einer Minute keine Blasen auftreten, schalten Sie die Quelle aus, wischen Sie die Lösung ab und fahren Sie fort.



Prüfen Sie auf Lecks an diesen Stellen
Für Propan/Butangas-Einheit



Prüfen Sie auf Lecks an diesen Stellen
Für Erdgas-Einheit

ZÜNDUNGSANLEITUNG

Verwendung der Zündvorrichtung

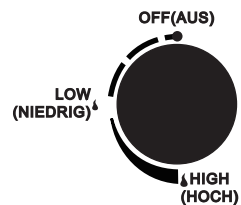
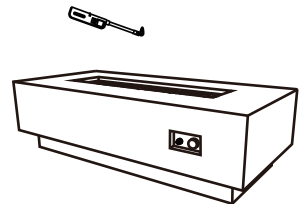
1. Lesen Sie die Anleitung vor dem Anzünden.
2. Der Drehknopf muss sich in der "OFF" Position befinden.
3. Propangasflasche anschließen, Ventil an der Gasflasche langsam öffnen.
4. Halten Sie die Zündungstaste gedrückt, um Funken zu erzeugen.
5. Halten Sie mit einer Hand den Zündknopf und drehen Sie mit der anderen Hand den Drehknopf in die Position "LOW", um den Brenner zu zünden.
6. Wenn die Zündung nicht innerhalb von 5 Sekunden erfolgt, drücken und drehen Sie den Bedienknopf auf "OFF", warten Sie 5 Minuten und lassen Sie das Gas entweichen.
7. Sobald der Brenner gezündet ist, halten Sie den Knopf weitere 20 Sekunden lang gedrückt und lassen ihn dann los.
8. Beobachten Sie die Flamme und stellen Sie sicher, dass alle Brenneröffnungen gezündet haben.
9. Die Flamme mit dem Drehknopf auf die gewünschte Stufe einstellen.



Wenn das Anzünden gemäß dieser Anleitung nicht genau befolgt wird, kann es zu einem Brand oder einer Explosion kommen, die zu Sachschäden, Verletzungen oder zum Tod führen kann. Halten Sie das Lavagestein bedeckt und stellen Sie sicher, dass es trocken ist, bevor Sie es anzünden.

Einsatz eines langen Streichholzes oder Feuerzeugs

1. Bewegen Sie vor dem Anzünden die Lavasteine mit einer Schaufel, um Zugang zum Brenner zu erhalten.
2. Tragen Sie hitzebeständige Handschuhe und positionieren Sie das brennende lange Streichholz oder das brennende Feuerzeug in der Nähe der Brennerseite. Beugen Sie sich beim Anzünden NICHT über den Feuertisch!
3. Drehen Sie den Drehknopf gegen den Uhrzeigersinn auf "LOW".
4. Langes Streichholz/ Feuerzeug entfernen.
5. Verwenden Sie nach dem Anzünden eine Schaufel und hitzebeständige Handschuhe, um die Lavasteine vorsichtig in ihre richtige Position zurückzubringen.
6. Die Flamme beobachten und sicherstellen, dass alle Brenneröffnungen brennen.
7. Stellen Sie die Flamme mit dem Drehknopf auf die gewünschte Höhe ein.



WARNUNG

Wenn der Brenner während des Betriebs erlischt, drehen Sie den Drehknopf sofort auf "OFF" und lassen Sie das Gas mindestens 5 Minuten lang entweichen, bevor Sie versuchen den Feuertisch erneut anzuzünden.



WARNUNG

Wenn Sie diese Methode zum Anzünden Ihres Feuertisches befolgen, sollten Sie hitzebeständige Handschuhe tragen und die Anweisungen Schritt für Schritt befolgen. Die Nichtbeachtung kann zu schweren Verletzungen führen.

AUSSCHALTEN

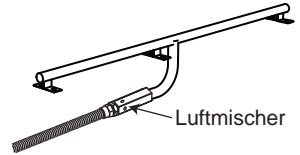
1. Drehen und drücken Sie den Bedienknopf im Uhrzeigersinn in die "OFF" Position.
2. Drehen Sie das Ventil der Gasflasche zu.

WARTUNG UND REINIGUNG

Inspektion

Dieser Feuertisch für den Außenbereich muss regelmäßig gewartet werden, um sicherzustellen, dass das Produkt sicher verwendet werden kann und um die Lebensdauer des Produkts zu erhöhen.

- Überprüfen Sie den Brenner, um sicherzustellen, dass er richtig befestigt ist.
- Überprüfen Sie den Luftmischer, um sicherzustellen, dass er frei von Insekten, Spinnennetzen und anderen Verschmutzungen ist (s. Abb.).
- Prüfen Sie alle Gasanschlüsse auf undichte Stellen.
- Prüfen Sie das Zündsystem, um eine ordnungsgemäße Funkenbildung zu gewährleisten.
- Überprüfen Sie die Komponenten auf Anzeichen von Schäden, Rost oder übermäßigem Verschleiß.
- Sollte eine Komponente beschädigt sein, darf das Gerät NICHT in Betrieb genommen werden, bevor die Reparaturen ordnungsgemäß durchgeführt wurden.



WARNUNG

Überprüfen Sie diese Outdoor-Feuerstelle NICHT, bevor das Feuer KOMPLETT erloschen ist.



WARNUNG

Nehmen Sie KEINE Manipulationen an diesem Gerät vor. Dies ist GEFÄHRLICH und wird die Garantie ungültig machen. Jedes Teil, das sich als defekt erweist, muss durch ein zugelassenes, vom Hersteller bestätigtes Teil ersetzt werden. Für technische Unterstützung wenden Sie sich an ELEMENTI.

Allgemeine Pflege und Reinigung

Rostfreier Stahl

- Für die allgemeine Reinigung warmes Wasser, Seife, Ammoniak oder Reinigungsmittel verwenden und mit einem weichen Tuch oder Schwamm reinigen.
- Für Fingerabdrücke oder hartnäckige Flecken verwenden Sie Edelstahlreiniger und -politur oder Edstahlglanz, die Sie mit einem weichen Tuch in Richtung der Polierlinien auftragen.
- Bei der Verwendung in salzhaltiger Luft empfehlen wir alle Oberflächen aus Edelstahl mindestens alle zwei Wochen zu reinigen, um den Artikel in optimalem Zustand zu halten. Edelstahl ist zwar korrosionsbeständig, aber nicht unempfindlich gegen Rost. Wenn Sie Ihre Produkte nicht richtig pflegen, können Salzluf und Meerwassersprühnebel Oberflächenrost verursachen.
- Das Beste was Sie zum Schutz von Edelstahl tun können, ist ihn regelmäßig zu reinigen.

Feuerstellen Oberfläche

Im Folgenden finden Sie Empfehlungen zur Pflege Ihrer Feuerstellen Oberfläche für eine lange Lebensdauer:

- Reinigen Sie verschüttete Flüssigkeiten sofort, um eine dauerhafte Verschmutzung der Oberfläche(n) oder eine Beschädigung Ihres Kamins zu vermeiden.
- Tupfen Sie verschüttete Flüssigkeiten mit einem sauberen, trockenen Tuch ab, um zu verhindern, dass sich der Fleck auf den Rest des Kamins ausbreitet.
- Die sofortige Reinigung von Flecken und das Abtupfen von verschütteten Flüssigkeiten verhindert auch die Absorption solcher Flecken / Spritzer in die Oberflächen, im Vergleich dazu, wenn solche Flecken / Spritzer über einen längeren Zeitraum auf diesen Oberflächen verbleiben.

WARTUNG UND REINIGUNG

Wie trägt man eine Versiegelung auf Wasserbasis auf:

1. Dieser Außenkamin sollte regelmäßig gewartet werden (normalerweise alle 3 bis 6 Monate), um einen sicheren Gebrauch zu gewährleisten und die Lebensdauer des Produkts zu verlängern.
2. Bitte sorgen Sie dafür, dass alle Bearbeitungen staubfrei sind. Wischen Sie die Versiegelungen auf der Betonoberfläche leicht mit einem weichen Lappen ab, dann wischen Sie den Rest ab, nachdem die Betonoberfläche vollständig trocken ist.

Reinigung der Feuerstellen Oberfläche:

1. Mischen Sie ein mildes Spülmittel in warmes, sauberes Wasser und verwenden Sie ein weiches, sauberes Tuch oder einen Schwamm.
2. Entfernen Sie dann den Schmutz, die Flecken oder leichte Verschmutzungen von der Oberfläche.
3. Wischen Sie die gesamte Seifenlösung mit einem feuchten Tuch von der Oberfläche ab.
4. Mit einem trockenen Tuch vollständig abtrocknen, um Wasserflecken zu vermeiden.
5. Regelmäßiges Reinigen der Kaminoberfläche trägt zu einer längeren Lebensdauer des Produkts bei.

Warnung

- KEINE Reinigungsmittel auf Petroleumbasis oder Scheuermittel verwenden.
- KEINE rauen Bürsten oder Schwämme zur Reinigung der Kaminoberfläche(n) verwenden.
- KEINE Produkte über die Feuerstellenoberfläche(n) hin und her schieben, um dauerhafte Kratzer und Schäden zu vermeiden.
- KEINE Lebensmittel auf die Oberfläche(n) der Feuerstelle legen.
- NICHT von der/den Oberfläche(n) der Kaminoberfläche essen.
- Die Oberfläche der Feuerstelle muss immer abgedeckt werden, wenn sie nicht in Gebrauch ist.
- Decken Sie Ihr Produkt ab, wenn es nicht in Gebrauch ist, um es vor Witterungseinflüssen zu schützen.
- Lagern Sie Ihr Produkt während der Wintermonate in einem Innenraum.
- Vermeiden Sie extrem kalte Temperaturen, da extreme Kälte zu Rissen auf der Oberfläche führen kann.

LAGERUNG

- Drehen Sie den Drehknopf in die "OFF" Position.
- Drehen Sie die Flüssiggasflasche in die "AUS" Position.
- Lagern Sie das Gerät an einem kühlen, trockenen Ort, fern von Kindern und Haustieren, geschützt vor Wetter und Wind und nicht in direktem Sonnenlicht.
- Lagern Sie das Gerät NICHT an einem Ort, an dem die Temperatur 50°C übersteigt.
- Decken Sie Ihre Feuerstelle IMMER ab, wenn sie nicht benutzt wird.
- Hinweis: Abwarten bis das Gerät abgekühlt ist, bevor Sie es abdecken.

FEHLERBEHEBUNG

Problem: Brenner zündet/ brennt nicht

Mögliche Ursache 1: Der Drehknopf ist nicht in der Maximalstellung (große Flamme).

- Drehen Sie den Regler in die Maximalposition (große Flamme).

Mögliche Ursache 2: Gasflaschenventil ist geschlossen / Gasflasche leer.

- Ventil öffnen / Gasflasche durch eine neue ersetzen.

Mögliche Ursache 3: Verstopfung in der Düse (Injektor).

- Düse (Einspritzdüse) reinigen oder austauschen.

Mögliche Ursache 4: Luft im Gaskreislauf.

- Öffnen Sie die Gasleitung und entlüften Sie sie (indem Sie den Drehknopf hineindrücken) für nicht mehr als 1 Minute oder bis Sie Gas riechen.

Mögliche Ursache 5: Niedriger Gasdruck.

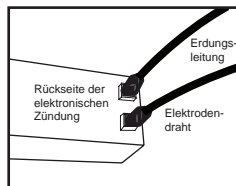
- Ersetzen Sie die Flüssiggasflasche durch eine neue.

Mögliche Ursache 6: Zünder reagiert nicht. (Es ist kein Klickgeräusch zu hören und kein Funke im Zündergehäuse zu sehen).

- Zünden Sie den Brenner mit einem Streichholz an.

- Wechseln Sie die Batterie oder besorgen Sie einen neuen Zünder und ersetzen Sie ihn.

- Schauen Sie unter den Feuertisch und vergewissern Sie sich, dass der Elektrodraht richtig in die Rückseite der elektronischen Zündbox eingeführt ist. Vergewissern Sie sich bei der Überprüfung des Elektrodenkabels, dass es an keiner Stelle durchgeschnitten oder gebrochen ist. Sollte das Kabel beschädigt sein, wenden Sie sich an Ihren Händler.



Problem: Brenner bleibt nicht an

Mögliche Ursache 1: Schmutzablagerungen um den Brenner.

- Reinigen Sie die Verschmutzung rund um den Brenner.

Mögliche Ursache 2: Niedrige Flammen oder nicht volles Feuer um den Brenner herum.

- Öffnungen des Flammenverteilers sind teilweise geschlossen; Brenner reinigen.

Mögliche Ursache 3: Der Wärmefühler / die Elektrode funktioniert nicht richtig.

- Wärmefühler: Die Thermoelement-Spitze sollte sich in der Nähe des Brenners befinden und auf eine Brenneröffnung ausgerichtet sein, so dass die Flammen sie direkt berühren. Stellen Sie sicher, dass die Flammen die Thermoelement-Spitze berühren.

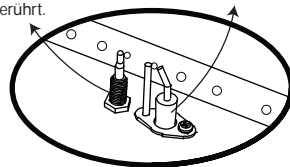
- Elektrode: Die Elektrode ist da, wo der Funke erzeugt wird, um die Feuerstelle zu zünden. Vergewissern Sie sich, dass Sie diesen Funken sehen können, wenn der Zündknopf gedrückt wird.

Mögliche Ursache 4: Defekter Wärmefühler.

- Wenn das Zündungsgehäuse und die Thermofühler-Spitze frei von Verunreinigungen sind und die Flamme die Wärmefühler-Spitze deutlich berührt, der Feuertisch aber trotzdem nicht brennt, ist der Wärmefühler möglicherweise beschädigt. Schauen Sie unter der Feuerstelle und suchen Sie den Kupferdraht des Wärmefühlers, der auf der Rückseite des Ventils herauskommt. Untersuchen Sie die Länge des Drahts auf Anzeichen einer Beschädigung. Scharfe Biegungen, Knicke oder Beschädigungen können dazu führen, dass das Thermoelement nicht richtig funktioniert. Wenn Sie eine Beschädigung des Thermoelements feststellen, wenden Sie sich an Ihren Händler, um es ersetzen zu lassen.

Wärmefühler
Stellen Sie sicher,
dass die Flamme
den berührt.

Elektrode
Sie sollten diesen Funken
sehen, wenn Sie den
Zündknopf drücken.



Zündungsgehäuse zur
besseren Sichtbarkeit
entfernt

Wärmefühler-Draht



Der Draht
sollte in
einer Linie
mit Ventil
sein

Ventil

FEHLERBEHEBUNG

Mögliche Ursache 5: Starker Wind

- Die Feuerstelle ist für den Betrieb bei Wind bis zu 3 m/s ausgelegt. Starker Wind kann dazu führen, dass die Flamme erlischt. Betreiben Sie die Feuerstelle nicht bei starkem Wind.

Problem: Flamme des Brenners ist zu niedrig Hinweis: Gerät nicht unter 5 °C betreiben.

Mögliche Ursache 1: Die Außentemperatur ist höher als 5 °C und die Gasflasche ist weniger als 25% gefüllt.

- Ersetzen Sie die Gasflasche durch eine neue.

Mögliche Ursache 2: Gasleitung ist gebogen oder geknickt. - Schlauch begradigen und Dichtheitsprüfung an der Gasleitung durchführen.

Sonstiges Problem

Kohlenstoffablagerungen

Mögliche Ursache: Verschmutzung oder Film auf dem Brenner.

- Reinigen Sie den Brenner.

Schwarzer Blitz (Flamme im Brenner)

Mögliche Ursache: Die Brenneröffnungen sind blockiert.

- Schalten Sie das Gerät aus. Flüssiggas-Flaschenventil schließen. 2 Minuten warten und dabei das Zündverfahren befolgen. Brenner zünden. Wenn das Problem weiterhin besteht, das Gerät ausschalten. Wenden Sie sich an Ihren Händler.

Dichter schwarzer Rauch

Mögliche Ursache: Verstopfung im Brenner.

- Drehen Sie den Drehknopf auf "OFF", lassen Sie das Gerät bei Raumtemperatur abkühlen, entfernen Sie die Verstopfung und reinigen Sie den Brenner innen und außen.

Garantie

Ocean Rock EU GmbH, geschäftsführend unter dem Namen Elementi, garantiert, dass Elementi-Feuerstellen und -Zubehör bei normalem Gebrauch und normaler Wartung für einen Zeitraum von 1 Jahr ab dem Kaufdatum frei von Defekten an den Bestandteilen und der Verarbeitung sind. Im Falle eines solchen Mangels wird Elementi nach eigenem Ermessen das defekte Produkt reparieren oder ersetzen. Das davor Genannte liegt im Ermessen von Elementi.

Für die Ersatzteile oder das Produkt fallen keine Kosten an, allerdings ist der Verbraucher dafür verantwortlich, das Produkt an die ursprüngliche Verkaufsstelle zurückzusenden.

Elementi haftet nicht für Folgeschäden, die den Kaufpreis des Produkts, auf dem diese Haftung basiert, übersteigen. Die Garantie deckt keine zusätzlichen Kosten wie z.B. Frachtkosten, Abbau und Neuinstallation ab.

Diese Garantie ist nicht übertragbar und gilt nur für Geräte, die ausschließlich für den nicht-kommerziellen persönlichen Gebrauch bestimmt sind.

Im Rahmen dieser Garantievereinbarung müssen alle Gasleitungen von einem zugelassenen Gasinstallateur installiert werden.

Schäden, die durch den Transport, Verschmutzung und Missbrauch verursacht wurden, sind von dieser Garantie nicht abgedeckt. Dellen, Beulen und Kratzer, Verblassen und natürliche Witterungseinflüsse werden von dieser Garantie nicht abgedeckt.

Dekoratives Gestein fällt nicht unter diese Garantie. Unsachgemäße Installationen, Reparaturen oder Änderungen, die nicht von Elementi vorgenommen wurden, führen zum Erlöschen der Garantie und alle dadurch verursachten Schäden sind ebenfalls nicht durch diese Garantie abgedeckt.

Leichte Abplatzungen, witterungsbedingtes Ausbleichen, Wasserflecken und nicht strukturelle Haarrisse sind typisch für das Material dieses Produkts und werden von dieser Garantie nicht abgedeckt. Gewisse Farb- und Strukturabweichungen sind typisch für das Material und die Oberfläche dieses Produkts, und werden von dieser Garantie nicht abgedeckt.

Gussbeton ist ein handwerkliches Verfahren. Daher variiert die Oberfläche dieses Produkts von Einheit zu Einheit. Die Farbabweichung beträgt bis zu 15 % pro Stück. Es kann auch eine ungleichmäßige Textur oder ein ungleichmäßiges Muster sowie kleine Löcher in der Oberfläche geben, die durch Luft- oder Wassereinschlüsse während des Gießens verursacht werden. Dies ist eine normale Eigenschaft von Gussbeton und fällt nicht unter die Garantie.

Français



IMPORTANT

**CONSERVEZ CES
INSTRUCTIONS**



DANGER

Pour usage extérieur uniquement.
Pas de cuisson. Ne pas utiliser
dans un endroit confiné.



DANGER

- Si les informations contenues dans ce manuel ne sont pas suivies à la lettre, un incendie ou une explosion peut en résulter et entraîner des dommages matériels, des blessures corporelles ou la mort.
- L'installation et l'entretien doivent être effectués par un installateur qualifié, une agence de service ou un fournisseur de gaz. Une installation, un réglage, une modification, un service ou un entretien incorrect peuvent entraîner des blessures ou des dommages matériels.
- Lisez attentivement les instructions d'installation, d'utilisation et d'entretien avant d'installer ou de réparer cet équipement.
- Conservez ces instructions pour référence future. Si vous assemblez cet appareil pour quelqu'un d'autre, donnez-lui ce manuel pour qu'il le lise et conservez les instructions pour référence future.



DANGER

Si vous sentez le gaz :

- Fermer le gaz via le contrôleur.
- Eteignez toute flamme à proximité.
- Si l'odeur persiste, éloignez-vous de l'appareil et appelez immédiatement votre fournisseur de gaz ou les pompiers.



DANGER

- N'entreposez pas et n'utilisez pas d'essence ou d'autres vapeurs et liquides inflammables à proximité de cet appareil.
- Une bouteille de gaz non connectée pour utilisation ne doit pas être stockée à proximité de cet appareil.

Cet appareil a été conçu et fabriqué conformément à la norme EN14543:2017 (BS EN 14543:2017 pour UKCA) et pour démontrer la conformité aux exigences essentielles du règlement sur les appareils à gaz (UE) 2016/426.

Ne jamais utiliser de tuyau non-conforme aux normes Française et toujours selon les règles nationales en vigueur du pays de destination.

Ces éléments doivent être remplacés périodiquement, selon la date indiquée sur le corps de chacun d'eux, ou selon les règles nationales en vigueur du pays de destination.

AVERTISSEMENTS DE SECURITE POUR LES FOYERS A GAZ

- Un espace bien ventilé doit avoir un minimum de 25 % de la surface ouverte.
 - La surface est la somme de la surface des murs.
 - Ne pas obstruer les trous de ventilation du boîtier du cylindre.
 - Cet appareil doit être utilisé, et la bouteille de gaz stockée, conformément à la réglementation en vigueur.
 - **AVERTISSEMENT : CET APPAREIL A UNE FLAMME NUE, UNE PROTECTION APPROPRIÉE DOIT ÊTRE UTILISÉE POUR LA PROTECTION DES JEUNES ENFANTS, DES PERSONNES ÂGÉES ET DES INFIRMES.**
- “L'appareil doit être installé conformément aux instructions et aux règles nationales en vigueur dans le pays de destination.”
- Lisez attentivement les instructions avant d'utiliser cet appareil - N'utilisez jamais cet appareil à l'intérieur, sur un véhicule ou un bateau.
 - Si les instructions de ce manuel ne sont pas suivies à la lettre, des situations dangereuses peuvent survenir ; assurez-vous que toutes les pièces sont à leur place.
 - Toute modification de l'appareil peut être dangereuse ; une installation, un réglage, une modification, un service ou un entretien inapproprié peuvent entraîner des blessures ou des dommages matériels.
 - L'installation et la réparation doivent être effectuées par un service, une agence ou un fournisseur de gaz qualifié ; ne le faites jamais vous-même !
 - N'utilisez jamais cet appareil avant d'avoir vérifié l'étanchéité de tous les raccords. Ne le mettez jamais en service si une fuite est détectée ; vérifiez constamment l'étanchéité à l'aide d'une mousse savonneuse (n'utilisez jamais de flamme). En cas de fuite de gaz, l'appareil ne doit pas être utilisé, coupez l'alimentation en gaz et l'appareil doit être examiné et rectifié par un service qualifié, une agence ou un fournisseur de gaz avant d'être utilisé à nouveau.
 - L'appareil doit être surveillé en permanence lorsqu'il fonctionne et ne jamais tenter de débrancher le régulateur de gaz ou les raccords de gaz.
 - Cet appareil est uniquement décoratif et toute forme de cuisson est strictement interdite. N'utilisez jamais de charbon de bois ou tout autre combustible solide, à l'exception des pierres de lave fournies avec l'appareil.
 - Ne pas brûler les déchets et tout autre matériau jeté sur cet appareil ; ne pas verser d'eau dans l'appareil.
 - Ne stockez pas et n'utilisez pas d'essence ou d'autres vapeurs et liquides inflammables à proximité de cet appareil ou de tout autre appareil.
 - Utilisez uniquement le type de gaz (voir ajustement dans la section "Spécifications") spécifié par le fabricant.
 - Utilisez uniquement la bouteille de gaz spécifiée par le fabricant.
 - Fermez le robinet de la bouteille de gaz ou le régulateur de gaz avant de déplacer l'appareil.
 - Ne déplacez pas l'appareil pendant son utilisation. Une fois qu'il a été tourné en position "OFF", attendez que la température ait refroidi (au moins 30 minutes).

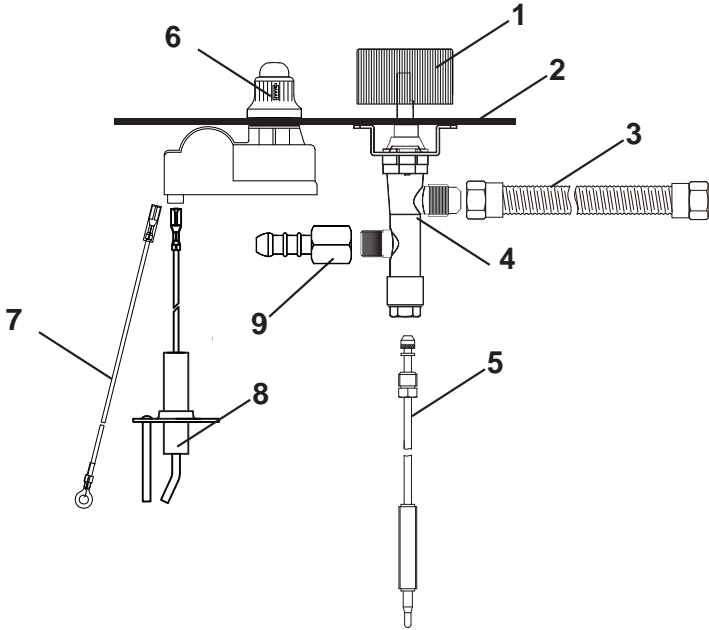
AVERTISSEMENTS DE SECURITE POUR LES FOYERS A GAZ

- Utilisez toujours l'appareil sur une surface horizontale non combustible pour le maintenir stable.
- Vérifier que le joint du régulateur de gaz est correctement monté et apte à remplir sa fonction.
- Couper l'alimentation en gaz de la bouteille de gaz après utilisation.
- Le tuyau flexible en métal ou en caoutchouc, utilisé pour relier l'appareil à la bouteille de gaz doit être changé dans les intervalles prescrits et selon les règles nationales en vigueur (voir date de péremption sur le tuyau flexible en métal ou en caoutchouc).
- Vérifiez le tuyau flexible en métal ou en caoutchouc utilisé au moins une fois par mois et pendant le changement de bouteille de gaz ; s'il présente des signes de fissuration, de fendillement ou de détérioration, il doit être remplacé par un neuf de même longueur et de qualité équivalente.
- L'appareil doit être inspecté avant utilisation et au moins une fois par an (voir « Entretien »)
- Une température inférieure à 5 entraînera un débit de gaz restreint et l'appareil ne fonctionnera pas correctement.
- L'allumage des piles peut contenir du mercure ; ne pas mettre au feu ou à la poubelle. Après utilisation mettre au recyclage.
- Retirez la batterie lorsque l'appareil n'est pas censé être utilisé pendant une longue période.
- Attention : les parties accessibles peuvent être très chaudes. Éloignez les jeunes enfants.
- Les gens doivent être avertis des dangers des températures de surface élevées et doivent rester à l'écart et éviter les brûlures ou l'inflammation des vêtements.
- Si le feu s'éteint, mettez l'alimentation en gaz en position « OFF » et attendez 2 minutes avant tenter de rallumer.
- Les enfants doivent être soigneusement surveillés lorsqu'ils se trouvent à proximité de l'appareil; Jamais les laisser utiliser cet appareil.
- Les vêtements ou autres matériaux inflammables ne doivent pas être suspendus à l'appareil ou placés à proximité de l'appareil.
- Les distances minimales à respecter par rapport aux matériaux combustibles non protégés d'au moins 1,2 mètre.
- Cet appareil doit être tenu à l'écart des matériaux inflammables.
- Ne placez aucun autre couvercle de foyer ou quoi que ce soit d'inflammable sur, dessous ou à côté de l'appareil.
- Ne posez pas les pieds sur l'appareil pendant son fonctionnement.
- Gardez tout cordon d'alimentation électrique et tuyau en caoutchouc à l'écart de toute surface chauffée.
- Aucune pièce scellée par le fabricant ou son agent ne peut être modifiée par l'utilisateur.

ATTENTION: CET APPAREIL A UNE FLAMME NUE ; UN GARDE APPROPRIÉ DEVRAIT ÊTRE UTILISÉ POUR LA PROTECTION DES JEUNES ENFANTS, LES ÂGÉS ET LES INFIRMES.

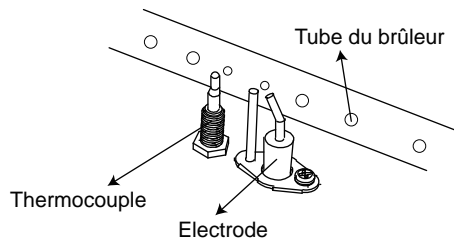
VUE D'ENSEMBLE

Connexion de la partie contrôle



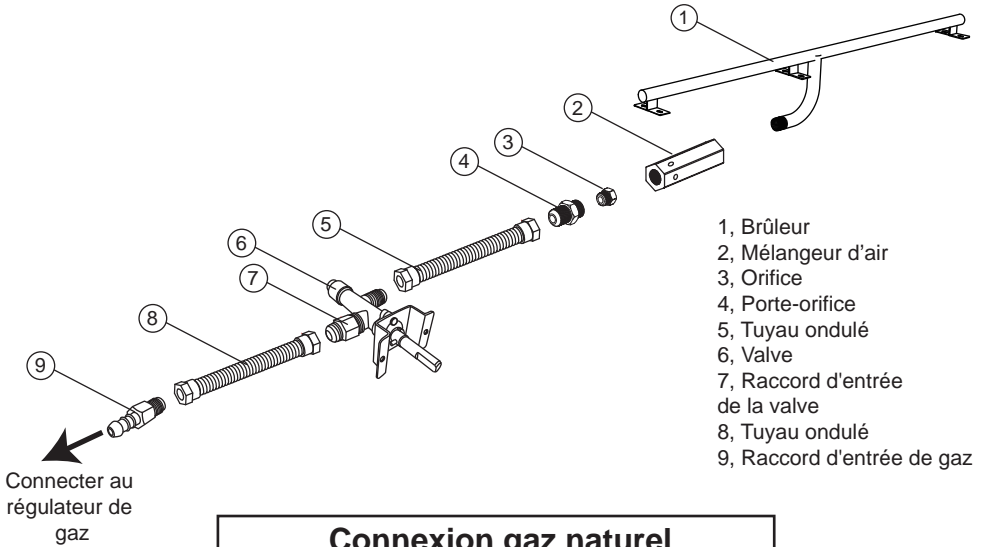
- 1, Bouton
- 2, Panneau de contrôle
- 3, Tuyau ondulé
- 4, Valve
- 5, Thermocouple
- 6, Allumeur
- 7, Fil de massé
- 8, Electrode
- 9, Raccord d'entrée de la valve

Connexion de la pièce d'allumage

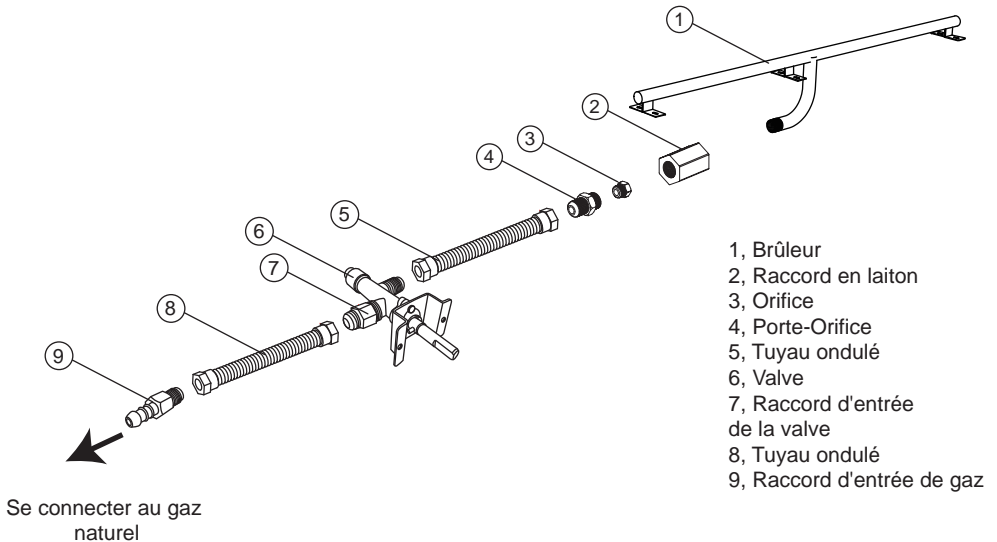


VUE D'ENSEMBLE

Propane / Butane / Connexion GPL



Connexion gaz naturel



INSTALLATION

Si vous vous raccordez à une installation de gaz fixe, il faut faire appel à un technicien du gaz agréé pour raccorder l'alimentation en gaz.

Si vous utilisez une bouteille de propane standard, elle peut être raccordée par la personne qui installe l'appareil. C'est comme pour le raccordement d'un barbecue à gaz. Si le gaz est acheminé par des tuyaux souterrains, vous devez demander l'aide d'un technicien du gaz.

DESIGN

Choisir un emplacement approprié

Les foyers à gaz doivent être installés à une distance sûre de votre maison ou de toute structure combustible, telle qu'un abri, une clôture en bois, etc. N'installez jamais un foyer à gaz à proximité d'une source d'énergie ou d'une bougie électrique en surplomb. De même, avant de choisir le lieu d'installation, assurez-vous qu'il n'y a pas de câbles électriques ou d'autres services sous le sol. En général, une distance d'au moins 3 mètres des structures voisines est recommandée. Ne l'installez pas sous une couverture de toit, ni près d'arbres en surplomb, etc. N'utilisez jamais un foyer au gaz à l'intérieur de votre maison.

Les foyers sont destinés à l'extérieur **UNIQUEMENT**.

Outre l'aspect sécurité, vous devez également tenir compte de l'esthétique et de l'utilisation fonctionnelle de votre foyer. Il doit à la fois s'intégrer et se démarquer, car il deviendra rapidement le principal point d'intérêt de votre jardin. Les foyers à gaz sont généralement installés dans une structure en béton ou en briques, afin de s'harmoniser avec le patio environnant. Vous aurez également besoin d'une forme d'assise autour de votre foyer. Il peut s'agir d'une structure permanente faisant partie de votre aménagement paysager, ou simplement de votre mobilier de patio existant. Si vous utilisez des sièges permanents, vous devez tenir compte de la distance idéale entre le siège et le foyer, afin d'assurer votre sécurité et de vous réchauffer. Une distance typique entre le centre du foyer et le bord du siège est d'environ 1,5 mètre.

Ventilation

Prévoyez une ventilation adéquate. Des événements placés sur des côtés opposés sont **OBLIGATOIRES** pour empêcher les gaz non brûlés de s'accumuler et de provoquer une explosion. Le propane/butane étant plus lourd que l'air, les événements doivent être placés plus près du bas pour permettre aux gaz non brûlés de s'échapper. Le gaz naturel étant plus léger que l'air, les événements doivent être placés plus près du haut.

CONSTRUIRE

Ce que vous construisez dépendra du type, de la taille et de la forme de votre brasero et de la conception de votre jardin. Nous ne pouvons pas couvrir toutes les conceptions et options imaginables, mais avons inclus des idées d'installation «génériques» et des conseils.
Avertissement : Tous les foyers ont besoin de trous de ventilation à la base de la table à feu. Ne bloquez pas les événements à la base de la table à feu. Ces événements doivent être placés au niveau du sol.

Il y a QUATRE très bonnes raisons de les fournir.

- 1, Ils permettent à l'eau de pluie de s'écouler de l'intérieur du foyer vers le patio environnant. Sans eux, votre foyer se remplirait rapidement d'eau, ce qui pourrait endommager le brûleur de votre foyer et invalider la garantie.
- 2, Ils permettent l'aspiration de l'air, ce qui pourrait endommager le brûleur de votre foyer et annuler la garantie.
- 3, Ils permettent d'aspirer l'air sous le brûleur du foyer. Cela facilite la combustion et produit des flammes plus grandes.
- 4, La zone située sous le brûleur peut devenir extrêmement chaude. Des bouches d'aération permettront à cet excès de chaleur de se dissiper.

Le gaz propane/butane/LPG est plus lourd que l'air, et tout gaz non brûlé s'accumule à l'intérieur de la base de votre foyer. Sans trous de ventilation pour permettre à ce gaz de s'échapper, il s'accumulera progressivement, jusqu'à ce qu'il atteigne une source d'allumage, où il explosera avec une grande force. Cela peut provoquer des blessures graves.

Emplacement

Si vous installez votre foyer dans l'herbe, marquez une zone de la même taille que le foyer et enlevez toute l'herbe, le gazon et les racines. Enlevez 5 cm de terre dans la même zone. Assurez-vous de niveler le sol à l'endroit où votre foyer sera construit et ajoutez entre 2,5 et 5 cm de base de pavé. Tassez la base de pavés et utilisez un niveau tout au long du processus.

INSTALLATION

Mise en place de la roche de lave

Placez la roche de lave à la main. NE PAS jeter le sac dans le plateau pour éviter d'obstruer le brûleur avec de la poussière.

Placez la pierre de lave à un niveau d'environ 1 à 2 cm au-dessus du haut du brûleur. Veillez à ne pas bloquer le boîtier de l'allumeur avec la pierre de lave pour garantir un allumage correct.



CORRECT



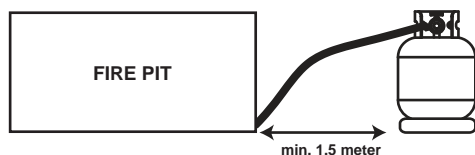
INCORRECT

REMARQUE : Lorsque vous voulez déplacer ou nettoyer les roches de lave, assurez-vous toujours qu'elles ont complètement refroidi.

INSTALLATION

Placement de la bouteille

- Assurez-vous que la bouteille de gaz est stable sur une surface ininflammable.
 - Placez la bouteille de gaz à une distance minimale de 1,5 mètre du brûleur intégré.
- Faites attention en plaçant le tuyau de gaz, les personnes et les animaux domestiques peuvent trébucher dessus. Placez donc toujours la bouteille à un endroit où il est impossible de marcher et où les enfants et les animaux domestiques ne peuvent pas accéder.
- Le tuyau de gaz doit être vérifié chaque année pour s'assurer qu'il est en bon état.
 - Lorsque l'appareil n'est pas utilisé pendant des périodes prolongées, le tuyau doit être débranché de l'appareil et le détendeur déconnecté de la bouteille. L'ensemble doit ensuite être stocké conformément aux pratiques recommandées.



Connecter la bouteille de gaz à l'unité

Le régulateur de gaz varie selon les pays. Utilisez un régulateur de gaz conforme à la réglementation locale.

1. Fixez le tuyau à l'embout d'entrée du collecteur et serrez le collier de serrage.

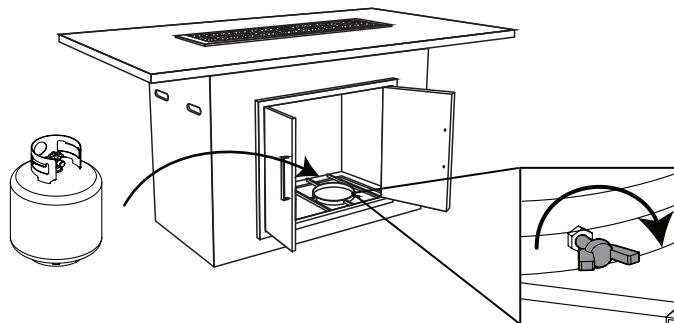
Assurez-vous que tous les filetages et surfaces de connexion sont intacts, propres et exempts de saleté. Lors du montage du tuyau, veillez à ce qu'il ne soit pas vrillé, plié ou coudé. Ne laissez pas le tuyau toucher une surface chaude ou des bords tranchants.

2. Fixez le détendeur à la bouteille de gaz. Reportez-vous aux instructions fournies avec le détendeur pour les détails concernant le montage.

3. Testez les fuites de gaz. Faites un test de fuite chaque fois que la bouteille est installée, qu'elle ait été remplie ou non. N'oubliez pas de fermer le robinet de la bouteille avant de retirer le tuyau.

4. Veillez à protéger le tuyau de toute surface chaude. Un danger grave peut se produire si le tuyau entre en contact avec une surface chaude.

5. Si la bouteille de gaz est cachée à l'intérieur de la table à feu. Placez la bouteille de gaz dans le support métallique à l'intérieur du corps et assurez-vous que la bouteille de gaz repose complètement sur le support métallique. Tournez la vis à ailettes sur la partie extérieure du support métallique dans le sens des aiguilles d'une montre pour fixer solidement la bouteille de gaz.



DANGER

- Une seule bouteille de gaz à l'intérieur.
- Ne pas stocker d'autres bouteilles de gaz

INSTALLATION

Raccorder le gaz naturel à l'unité

1. Fixez le tuyau au raccord d'entrée du collecteur avec un connecteur NF et fixez le tuyau au raccord d'entrée du collecteur.

Assurez-vous que tous les filetages et surfaces de connexion sont intacts et propres. Lors du montage du tuyau, veillez à ce qu'il ne soit pas vrillé, plié ou courbé. Protégez le tuyau de toute arête tranchante.

2. Fixez une extrémité du tuyau au robinet d'arrêt principal du réseau de gaz de ville.

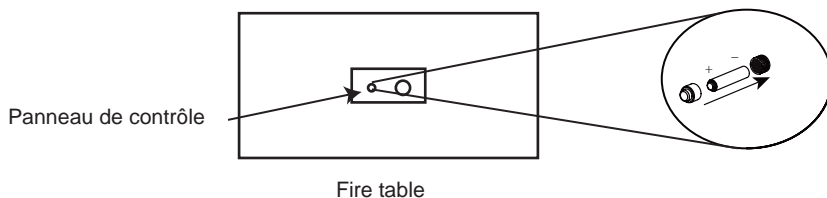
Effectuez un test d'étanchéité chaque fois que le raccordement au gaz est rebranché. Si le tuyau présente des détériorations ou des dommages, effectuez un test d'étanchéité sur toute la surface extérieure. N'oubliez pas d'éteindre le gaz du réseau urbain avant de retirer le tuyau.

DANGER

- L'installation et l'entretien doivent être effectués par un installateur qualifié, une agence de service ou un fournisseur de gaz.
- Une installation, un réglage, une modification, un service ou un entretien incorrect peut entraîner des blessures ou des dommages matériels.

Mise en place de la pile

Assurez-vous que le système d'alimentation en gaz est sur "OFF". Installez la pile AAA comme indiqué sur le schéma ci-dessous.



TEST D'ETANCHEITE

DANGER

Avant d'utiliser cette table à feu d'extérieur, assurez-vous d'avoir lu, compris et suivi toutes les informations fournies dans la section Informations importantes sur la sécurité de ce manuel. Le fait de ne pas suivre ces instructions peut entraîner la mort, des blessures graves ou des dommages matériels..

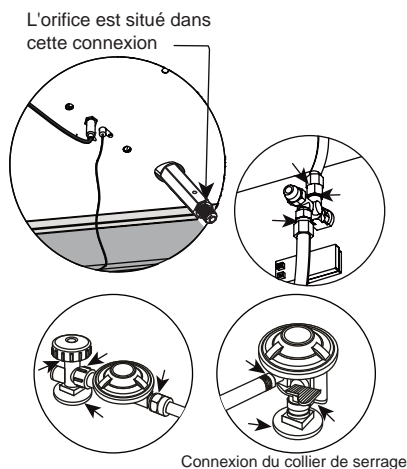
Avant chaque utilisation du foyer au gaz, vérifiez le tuyau et la valve pour détecter toute trace d'abrasion ou d'usure excessive à travers le trou de contrôle visuel situé sur le côté de la base. Remettez le bouchon de contrôle visuel en place avant d'utiliser le foyer.

Raccordements du brûleur

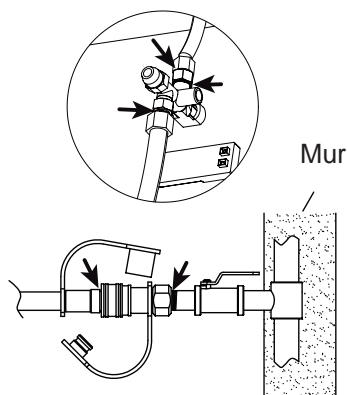
Assurez-vous que les raccords de la vanne de régulation et du tuyau sont bien fixés au brûleur et à la bouteille. Si votre appareil a été assemblé pour vous, vérifiez visuellement le raccordement entre le tuyau du brûleur et l'orifice. Assurez-vous que le tuyau du brûleur s'adapte à l'orifice.

Vérification des fuites

1. Préparez une solution de contrôle des fuites en mélangeant une dose de savon à vaisselle avec trois doses d'eau dans un flacon pulvérisateur.
2. Assurez-vous que le bouton de commande est sur "OFF". Ensuite, ouvrez le gaz propane ou naturel à sa source.
3. Pulvérisez la solution anti-fuite sur les raccords de la valve en accordant une attention particulière aux zones indiquées par les flèches.
4. Si des bulles apparaissent, éteignez le propane ou le gaz naturel, rebranchez et testez à nouveau. Si vous continuez à voir des bulles après plusieurs tentatives, débranchez la source de propane ou de gaz naturel et contactez ELEMENTI. Si aucune bulle n'apparaît après une minute, éteignez la source, essuyez la solution et continuez.



Vérifiez l'absence de fuites aux endroits suivants si butane propane ou GPL



Vérifiez l'absence de fuites aux endroits suivants Pour le gaz naturel

INSTRUCTIONS D'ALLUMAGE

Utilisation de l'allumeur

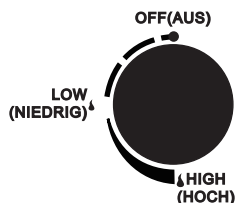
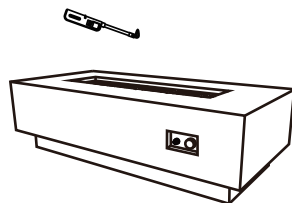
1. Lire les instructions avant allumage
2. Le bouton de commande doit être en position "OFF".
3. Connectez la bouteille de gaz ou la source de gaz naturel, ouvrez lentement la vanne.
4. Tout en maintenant le bouton de l'allumeur d'une main, utilisez votre autre main pour pousser et tourner le bouton de commande en position "LOW" pour allumer le brûleur.
5. Si l'allumage ne se produit pas dans les 5 secondes, poussez et tournez le bouton de commande sur "OFF", attendez 5 minutes et laissez le gaz se dissiper.
6. Une fois le brûleur allumé, continuez à maintenir le bouton enfoncé pendant encore 20 secondes et relâchez le bouton.
7. Observez la flamme, assurez-vous que tous les orifices du brûleur sont allumés.
8. Réglez la flamme à la hauteur désirée à l'aide du bouton de commande.



Si la procédure d'allumage décrite dans ces instructions n'est pas suivie à la lettre, un incendie ou une explosion peut se produire et entraîner des dommages matériels, des blessures ou des pertes de vie. Gardez la roche de lave couverte et assurez-vous qu'elle est sèche avant de l'enflammer.

Utiliser une longue allumette ou un briquet long

1. Avant l'allumage, utilisez une pelle pour déplacer les roches de lave afin d'accéder au brûleur.
2. En portant des gants résistant à la chaleur, placez l'allumette longue ou le briquet butane en combustion près du côté du brûleur. NE vous penchez PAS au-dessus de la table à feu pendant l'allumage !
3. Tournez le bouton de commande dans le sens inverse des aiguilles d'une montre sur "LOW".
4. Retirer l'allumette longue/le briquet butane long.
5. Après l'allumage, utilisez une pelle et des gants résistant à la chaleur pour remettre soigneusement les pierres de lave à leur place.
6. Observez la flamme, assurez-vous que tous les orifices du brûleur sont allumés.
7. Réglez la flamme à la hauteur souhaitée à l'aide du bouton de commande.



DANGER

Si la flamme du brûleur s'éteint pendant le fonctionnement, mettez immédiatement le bouton de commande sur "OFF" et laissez le gaz s'échapper pendant au moins 5 minutes avant de tenter de rallumer la table à feu.



DANGER

Lorsque vous utilisez cette méthode pour allumer votre table à feu, utilisez des gants résistant à la chaleur et suivez les instructions étape par étape. Le non-respect de cette consigne peut entraîner des blessures graves.

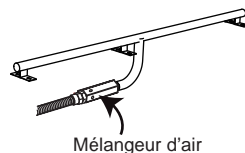
ETEINDRE

1. Tournez et poussez le bouton de commande dans le sens des aiguilles d'une montre sur la position "OFF".
2. Tournez la valve de la bouteille de gaz pour la fermer.

ENTRETIEN ET NETTOYAGE

Inspection

- Cette table de feu d'extérieur doit être inspectée régulièrement pour s'assurer que le produit peut être utilisé en toute sécurité et pour prolonger sa durée de vie.
- Vérifiez le brûleur pour vous assurer qu'il est bien en place.
- Vérifiez le mélangeur d'air pour vous assurer qu'il est clair et exempt d'insectes, de nids d'araignées et d'autres débris (voir photo).
- Vérifiez l'étanchéité de tous les raccords de gaz.
- Vérifiez le système d'allumage pour assurer une étincelle correcte. Mélangeur d'air
- Vérifiez que les composants ne présentent aucun signe de dommage, de rouille ou d'usure excessive. • Si un composant est endommagé, NE PAS utiliser l'appareil avant d'avoir effectué les réparations nécessaires.



DANGER

N'inspectez pas ce foyer extérieur avant que le feu ne soit COMPLÈTEMENT éteint.



DANGER

NE PAS modifier cet appareil. C'est DANGEREUX et cela annule la garantie. Toute pièce jugée défectueuse doit être remplacée par une pièce approuvée, confirmée par le fabricant. Pour obtenir une assistance technique, contactez ELEMENTI.

Entretien général et nettoyage

Acier inoxydable

- Pour le nettoyage général, utilisez de l'eau chaude, du savon, de l'ammoniaque ou un détergent et appliquez-le avec un chiffon doux ou une éponge.
 - Pour les empreintes digitales ou les taches tenaces, utilisez un nettoyeur spécial inox.
- Appliquez à l'aide d'un chiffon doux dans le même sens que les lignes de polissage.
- En cas d'utilisation dans un environnement salin, nous recommandons de nettoyer toutes les surfaces en acier inoxydable au moins toutes les deux semaines afin de maintenir l'article en excellent état. L'acier inoxydable est résistant à la corrosion, mais il n'est pas imperméable à la rouille. L'exposition à l'air salin et aux embruns provoquera une rouille superficielle si vous n'entretenez pas correctement vos produits.
 - La meilleure chose que vous puissiez faire pour protéger l'acier inoxydable est de le nettoyer fréquemment.

Surface de la table à feu

Vous trouverez ci-dessous des recommandations sur l'entretien de la surface de votre cheminée pour des années d'utilisation prolongée :

- Nettoyez immédiatement tout déversement afin d'éviter de tacher de façon permanente la ou les surfaces ou d'endommager votre brasero.
- Epongez tout liquide renversé à l'aide d'un chiffon propre et sec pour éviter que le liquide ne se répande sur le reste du foyer.
- Le nettoyage immédiat des taches et l'épongeage des déversements empêchent également l'absorption de ces taches et déversements par les surfaces, contrairement à ce qui se passe si ces taches et déversements sont laissés pendant de longues périodes sur ces surfaces.

ENTRETIEN ET NETTOYAGE

Comment appliquer un scellant à base d'eau :

- 1, Cette cheminée d'extérieur doit être entretenue régulièrement (normalement 3 à 6 mois) pour garantir une utilisation sûre et prolonger la durée de vie du produit.
- 2, Veillez à ce que tous les traitements soient exempts de poussière. Essayez légèrement les scellants sur la surface du béton avec un chiffon doux, puis essuyez les résidus après le séchage complet de la surface du béton.

Comment nettoyer la surface de votre table à feu :

- 1, Mélangez un savon à vaisselle doux dans de l'eau chaude et propre, utilisez un chiffon ou une éponge douce et propre.
- 2, Procédez ensuite à l'élimination de la saleté de surface, des taches ou des déversements légers.
- 3, Rincez toute la solution de savon sur les surfaces avec un chiffon humide.
- 4, Séchez complètement avec un chiffon sec pour éviter les taches d'eau / les marques d'eau.
- 5, Un nettoyage régulier de la surface de la cheminée permet d'obtenir un produit plus durable.

Attention

- N'utilisez PAS de produits de nettoyage à base de pétrole ou abrasifs.
- N'utilisez PAS de brosses ou d'éponges rugueuses pour nettoyer la ou les surfaces du foyer.
- NE PAS faire glisser les produits sur la ou les surfaces du foyer pour éviter les rayures ou les dommages permanents.
- NE PAS placer d'aliments sur la ou les surfaces du foyer.
- NE PAS manger sur la ou les surfaces du foyer.
- La surface du foyer doit être couverte en tout temps lorsqu'elle n'est pas utilisée.
- Couvrez votre produit lorsqu'il n'est pas utilisé afin de le protéger des éléments.
- Stockez votre produit à l'intérieur pendant les mois d'hiver.
- Évitez les températures extrêmement froides, car elles peuvent provoquer des fissures sur le plateau de la table.

STOCKAGE

- Tournez le bouton de commande en position "OFF".
- Mettez la bouteille de GPL en position "OFF".
- Conservez l'appareil dans un endroit frais et sec, à l'écart des enfants et des animaux domestiques, à l'abri des intempéries et du vent, et non exposé à la lumière directe du soleil.
- NE PAS stocker dans un endroit où la température dépassera 50°C.
- Couvrez TOUJOURS votre table de feu d'extérieur lorsqu'elle n'est pas utilisée.
- Remarque : attendez que l'appareil ait refroidi avant de le recouvrir.

DEPANNAGE

Problème : le brûleur ne s'allume pas

Cause possible 1: Le bouton de commande n'est pas en position maximale

- Tournez le bouton de commande en position maximale (grande flamme).

Cause possible 2: Le robinet de la bouteille de gaz est fermé /

La bouteille de gaz est vide.

- Ouvrez la valve / Remplacez la bouteille de gaz par une nouvelle.

Cause possible 3: Blocage de l'orifice (injecteur).

- Nettoyer ou remplacer l'orifice (injecteur).

Cause possible 4: Air dans le circuit de gaz. - Ouvrez la conduite de gaz et purgez-la (en appuyant sur le bouton de commande) pendant une minute maximum ou jusqu'à ce que vous sentiez une odeur de gaz.

Cause possible 5: Pression de gaz faible.

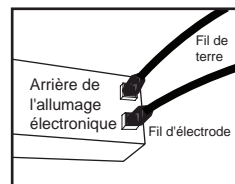
- Remplacez la bouteille de GPL par une nouvelle.

Cause Possible 6: L'allumeur ne fonctionne pas. (N'entendez pas de clic et ne voyez pas d'étincelle dans le boîtier de l'allumeur).

- Utilisez une allumette pour allumer le brûleur.

- Changez la pile ou procurez-vous un nouvel allumeur et remplacez-le.

- Regardez sous la table à feu et assurez-vous que le fil d'électrode est correctement inséré à l'arrière du boîtier d'allumage électronique. En inspectant le fil d'électrode, assurez-vous qu'il n'est pas coupé ou cassé à un endroit quelconque. Si le fil a été endommagé, contactez votre revendeur.



Problème : le brûleur ne reste pas allumé

Cause possible 1: Accumulation de saletés autour du brûleur.

- Nettoyez la saleté autour du brûleur.

Cause possible 2: Les flammes sont faibles ou ne tournent pas à plein régime autour du brûleur.

- Les trous du diffuseur de flamme sont partiellement fermés ;

Nettoyez le brûleur

Cause possible 3: Thermocouple / Electrode ne fonctionne pas correctement.

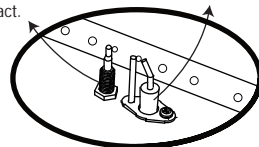
- Thermocouple : L'extrémité du thermocouple doit être située près du brûleur, alignée avec un orifice de brûlage de sorte que les flammes entrent directement en contact avec lui.

Assurez-vous que les flammes sont en contact avec l'extrémité du thermocouple.

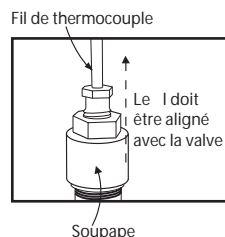
- Électrode : L'électrode est l'endroit où l'étincelle est générée pour allumer votre table à feu. Assurez-vous que vous pouvez voir cette étincelle lorsque vous appuyez sur le bouton d'allumage.

Electrode
Vous devez voir ceci étinciller en appuyant sur le bouton de l'allumeur

Thermocouple
Vérifiez qu'il soit en contact.



Boîtier de l'allumeur retiré pour plus de visibilité



DEPANNAGE

- Cause possible 4: Thermocouple endommagé

-Si le boîtier de l'allumeur et l'extrémité du thermocouple sont exempts de débris et que la flamme entre clairement en contact avec l'extrémité du thermocouple, mais que la table à feu ne reste pas allumée, le thermocouple est peut-être endommagé. Regardez sous la table et trouvez le fil de cuivre du thermocouple qui sort à l'arrière de la valve. Examinez sa longueur pour détecter tout signe de dommage. Des coudes aigus, des plis ou des dommages peuvent empêcher le thermocouple de fonctionner correctement. Si vous trouvez un dommage sur le thermocouple, contactez votre revendeur pour le remplacer.

Cause possible 5: Vents forts

-Votre table à feu est conçue pour fonctionner avec des vents allant jusqu'à 3 m/s. Les vents forts peuvent provoquer l'extinction de la flamme. Les vents forts peuvent provoquer l'extinction de la flamme. N'utilisez pas votre table de cuisson dans des conditions de vent élevé.

Problème: La flamme du brûleur est faible.

Remarque: Ne pas utiliser l'appareil en dessous de 5 °C

Cause possible 1: La température extérieure est supérieure à 5 °C et la bouteille de gaz est remplie à moins de 25 %.

-Remplacer la bouteille de gaz par une nouvelle.

Cause Possible 2: La conduite de gaz est pliée ou coudée.

- Redresser le tuyau et effectuer un test d'étanchéité sur la conduite de gaz.

Autre problème

Accumulation de carbone

Possible Cause: Dirty or film on burner.

-Clean burner.

Retour de flamme (flamme à l'intérieur du brûleur)

Cause possible: Les orifices du brûleur sont bloqués. - Éteignez l'appareil. Fermez le robinet de la bouteille de GPL. Attendez 2 minutes, en suivant la procédure d'allumage. Allumez le brûleur. Si le problème persiste, éteignez l'appareil. Contactez votre revendeur.

Épaisse fumée

Cause possible: Obstruction du brûleur. -Tournez le bouton de commande sur la position "OFF", laissez l'appareil refroidir à température ambiante, éliminez les blocages et nettoyez le brûleur à l'intérieur et à l'extérieur.

GARANTIE

Ocean Rock EU GmbH, faisant affaire sous le nom d'Elementi, garantit que les éléments de feu et les accessoires d'Elementi sont exempts de défauts de pièces et de fabrication dans des conditions normales d'utilisation et d'entretien pendant une période d'un an à compter de la date d'achat. Dans le cas de tels défauts, Elementi réparera ou remplacera, à sa discrétion, le produit défectueux. Ce qui précède est à la discrétion d'Elementi.

Les pièces ou le produit de remplacement ne seront pas facturés, mais il incombera au consommateur de renvoyer le produit au lieu d'achat initial.

Elementi ne sera pas responsable des dommages indirects dépassant le prix d'achat du produit sur lequel cette responsabilité est fondée et la garantie ne couvre pas les coûts incluant le fret, le retrait et la réinstallation.

Cette garantie n'est pas transférable et s'applique uniquement aux unités destinées à un usage personnel non commercial.

En vertu de ce contrat de garantie, toutes les conduites de gaz doivent être installées par un installateur de gaz agréé.

Les dommages causés par l'expédition, les taches et les abus ne sont pas couverts par cette garantie. Les chocs, les bosses et les rayures, la décoloration et l'usure naturelle ne sont pas couverts par la présente garantie.

Les pierres décoratives ne sont pas couvertes par la présente garantie. Les installations, réparations ou modifications inappropriées effectuées par toute personne autre qu'Elementi annulent cette garantie et tout dommage causé par celles-ci n'est pas couvert par cette garantie.

Les écaillages mineurs, la décoloration due aux intempéries, les taches d'eau et les fissures capillaires non structurelles sont typiques du matériau de ce produit et ne sont pas couverts par cette garantie. Une certaine variation de couleur et de texture.

Les variations de couleur et de texture sont typiques du matériau et de la finition de ce produit et ne sont pas couvertes par la présente garantie.

Le béton coulé est un processus de finition à la main. En tant que tel, le fini de ce produit variera d'une unité à l'autre. Il y aura une variation de couleur allant jusqu'à 15 % dans chaque unité. Il peut également y avoir une texture ou un motif irrégulier ainsi que de petits trous à la surface causés par l'air ou l'eau emprisonnés à la surface pendant le coulage. Il s'agit d'une caractéristique normale du béton coulé et elle n'est pas couverte par la garantie.

Italiano



IMPORTANTE

**CONSERVARE
QUESTE ISTRUZIONI**



AVVERTIMENTO

Solo per uso esterno. **NON** utilizzare per cucinare. **NON** utilizzare sotto alcun involucro sopraelevato.



AVVERTIMENTO

- Se le informazioni contenute in questo manuale non vengono seguite esattamente, potrebbero verificarsi incendi o esplosioni con danni materiali, lesioni personali o morte.
- L'installazione e l'assistenza devono essere eseguite da un installatore qualificato, un'agenzia di servizi o un fornitore di gas. L'installazione, la regolazione, l'alterazione, l'assistenza o la manutenzione improprie possono causare lesioni o danni alla proprietà.
- Leggere attentamente le istruzioni di installazione, funzionamento e manutenzione prima di installare o riparare questa apparecchiatura.
- Conservare queste istruzioni per riferimento futuro. Se si sta assemblando questa unità per qualcun altro, consegnare questo manuale a lui o lei affinché legga e conservi le istruzioni per riferimento futuro.



PERICOLO

Se senti odore di gas:

- Chiudere il gas all'apparecchio.
- Spegnerne qualsiasi fiamma libera.
- Se l'odore persiste, tenere lontano dall'apparecchio e chiamare immediatamente il fornitore del gas o i vigili del fuoco.



AVVERTIMENTO

- Non conservare o utilizzare benzina o altri vapori e liquidi infiammabili in prossimità di questo o di qualsiasi altro apparecchio.
- Una bombola di LP non collegata per l'uso non deve essere conservata in prossimità di questo o di qualsiasi altro apparecchio.

Questo apparecchio è stato progettato e realizzato in conformità alla norma EN14543:2017 (BS EN 14543: 2017 per UKCA) e per dimostrare la conformità ai requisiti essenziali del regolamento sugli apparecchi a gas (EU) 2016/426.

Non utilizzare mai tipi diversi e sempre secondo le Norme Nazionali vigenti nel Paese di destinazione. Tali componenti dovranno essere periodicamente sostituiti, secondo la data riportata sul corpo di ciascuno di essi, o secondo le Norme Nazionali vigenti nel Paese di destinazione.

AVVERTENZE PER LA SICUREZZA DEI FUOCHI A GAS

- Un'area ampiamente ventilata deve avere almeno il 25% della superficie aperta.
- La superficie è la somma della superficie delle pareti.
- Non ostruire i fori di ventilazione dell'alloggiamento del cilindro.
- Questo apparecchio deve essere utilizzato, e la bombola del gas immagazzinata, secondo le normative vigenti.
- **AVVERTIMENTO: QUESTO APPARECCHIO HA UNA FIAMMA NUDA, DEVE ESSERE UTILIZZATA UN'ADEGUATA PROTEZIONE PER LA PROTEZIONE DEI BAMBINI PICCOLI, ANZIANI E INFERMI.**

“L'apparecchio deve essere installato secondo le istruzioni e le Norme Nazionali vigenti nel Paese di destinazione.”

- Leggere attentamente le istruzioni prima di utilizzare questo apparecchio-Non utilizzare mai questo apparecchio all'interno, su veicoli o barche.
- Se le istruzioni di questo manuale non vengono seguite esattamente, possono verificarsi situazioni pericolose; assicurarsi che tutte le parti siano nella posizione corretta.
- Qualsiasi modifica dell'apparecchio può essere pericolosa; installazione, regolazione, alterazione, servizio o manutenzione impropri possono causare lesioni personali o danni alla proprietà.
- L'installazione e la riparazione devono essere eseguite da un servizio qualificato, un'agenzia o un fornitore di gas; non farlo mai da solo!
- Non utilizzare mai questo apparecchio finché tutti i collegamenti non sono stati sottoposti a prova di tenuta. Non metterlo mai in funzione se si rilevano perdite; controllare sempre le perdite con schiuma saponosa (mai usare una fiamma). In caso di perdita di gas, l'apparecchio non deve essere utilizzato, interrompere l'alimentazione del gas e l'apparecchio deve essere esaminato e rettificato da un servizio qualificato, un'agenzia o un fornitore di gas prima di essere utilizzato nuovamente. •L'apparecchio deve essere sempre sorvegliato durante il funzionamento e non tentare mai di scollegare il regolatore del gas o i raccordi del gas.
- Questo è solo un apparecchio decorativo ed è severamente vietato qualsiasi tipo di cottura. Non utilizzare mai carbone o altri combustibili solidi, ma pietre laviche fornite con l'apparecchio.
- Non bruciare rifiuti e altri materiali gettati su questo apparecchio; non versare acqua nell'apparecchio.
- Non conservare o utilizzare benzina o altri vapori e liquidi infiammabili in prossimità di questo o di qualsiasi altro apparecchio.
- Utilizzare solo il tipo di gas (vedi regolazione nella sezione “Specifiche” e anche Marcatura dell'apparecchio sull'apparecchio) specificato dal produttore.
- Utilizzare solo bombole del gas specificate dal produttore.
- Chiudere la valvola della bombola del gas o il regolatore del gas prima di spostare l'apparecchio.
- Non spostare l'apparecchio durante l'uso. Una volta portato in posizione “OFF”, attendere che la temperatura si sia raffreddata (almeno 30 minuti).

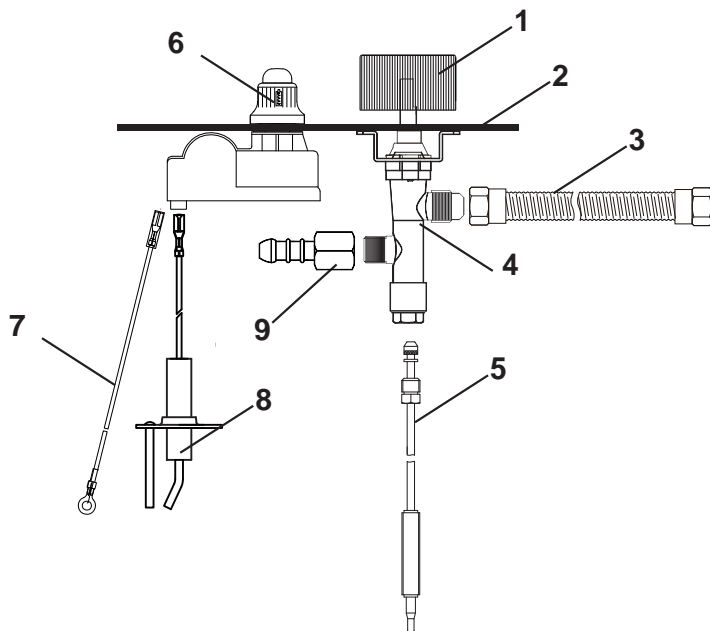
AVVERTENZE PER LA SICUREZZA DEI FUOCHI A GAS

- Utilizzare sempre l'apparecchio su una superficie orizzontale non combustibile per mantenerlo stabile.
- Verificare che la guarnizione del regolatore del gas sia montata correttamente e in grado di svolgere la sua funzione.
- Chiudere l'alimentazione del gas alla bombola dopo l'uso.
- Il tubo flessibile in metallo o gomma, utilizzato per collegare l'apparecchio alla bombola del gas, deve essere sostituito nei tempi prescritti e secondo le Norme Nazionali vigenti (vedi data di scadenza sul tubo flessibile in metallo o gomma).
- Controllare il tubo flessibile in metallo o gomma utilizzato almeno una volta al mese e durante la sostituzione della bombola del gas; se presenta segni di screpolatura, spaccatura o deterioramento, va sostituita con una nuova della stessa lunghezza e di qualità equivalente.
- L'apparecchio deve essere ispezionato prima dell'uso e almeno una volta all'anno (vedere "Manutenzione") • Una temperatura inferiore a 5°C causerà una limitazione del flusso di gas e l'apparecchio non funzionerà correttamente.
- Non gettare nel fuoco o nella spazzatura. Dopo l'uso, maneggiare come pericoloso per il riciclaggio.
- Estrarre la batteria quando si prevede di non utilizzare l'apparecchio per un lungo periodo di tempo.
- Attenzione: le parti accessibili possono essere molto calde. Si prega di tenere lontano dai bambini.
- Le persone dovrebbero essere avvertite dei rischi delle alte temperature superficiali e dovrebbero stare lontane per evitare ustioni o l'accensione degli indumenti.
- Se l'incendio dovesse spegnersi, portare l'alimentazione del gas in posizione "OFF" e attendere 2 minuti prima di tentare di riaccendere.
- I bambini devono essere attentamente sorvegliati quando si trovano nell'area dell'apparecchio; non lasciare mai che utilizzino questo apparecchio.
- Gli indumenti o altri materiali infiammabili non devono essere appesi all'apparecchio o collocati vicino all'apparecchio.
- Le distanze minime da rispettare da materiali combustibili non protetti almeno 1,2 metro.
- Questo apparecchio deve essere tenuto lontano da materiali infiammabili.
- Non mettere nessun altro copricamino o altro materiale infiammabile sopra, sotto o accanto all'apparecchio.
- Non appoggiare i piedi sull'apparecchio durante il funzionamento.
- Tenere il cavo di alimentazione elettrica e il tubo di gomma lontano da qualsiasi superficie riscaldata.
- Qualsiasi parte sigillata dal produttore o dal suo agente non può essere modificata dall'utente.

ATTENZIONE: QUESTO APPARECCHIO HA UNA FIAMMA NUDA; DOVREBBE ESSERE UTILIZZATA UN'ADEGUATA GUARDIA PER LA PROTEZIONE DEI BAMBINI PICCOLI, ANZIANI E INFERMI.

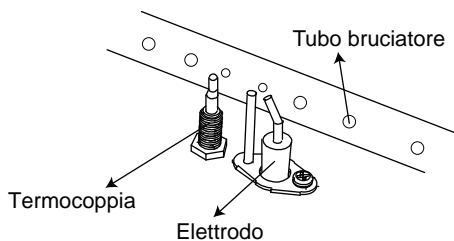
VISTA ESTESA

Collegamento della parte di controllo



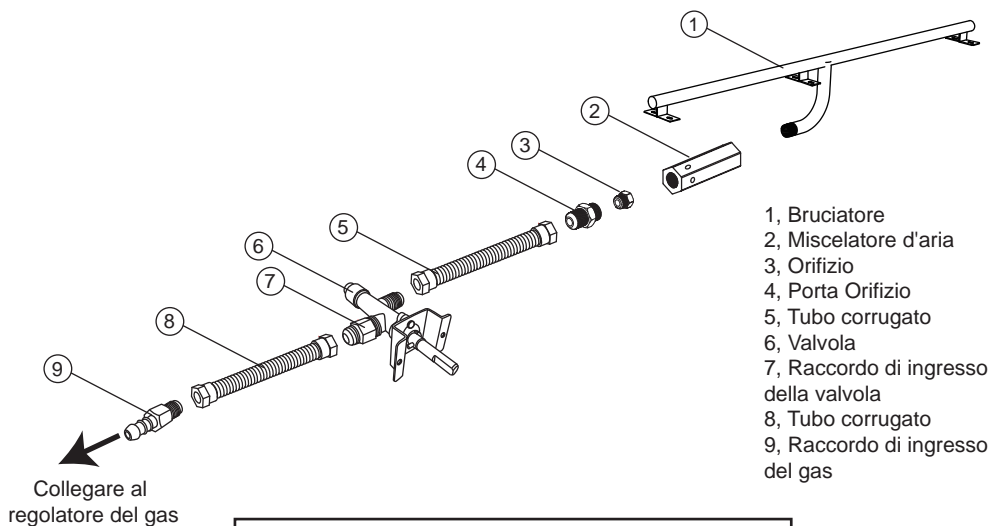
1. Pomello
2. Pannello di controllo
3. Tubo corrugato
4. Valvola
5. Termocoppia
6. Accenditore
7. Filo di terra
8. Elettrodo
9. Raccordo di ingresso della valvola

Collegamento della parte di accensione

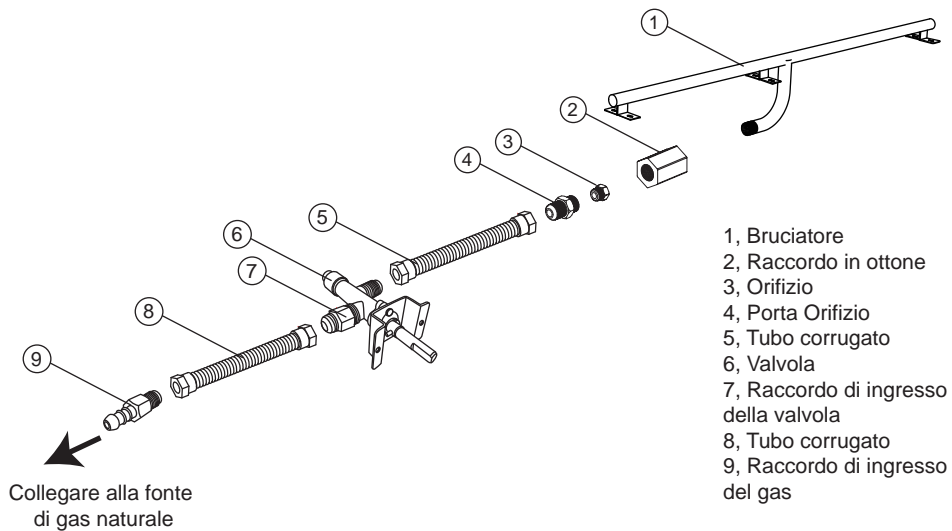


VISTA ESTESA

Collegamento Propano/Butano/ LPG



Collegamento del gas naturale



INSTALLAZIONE

Se ci si collega a un'installazione fissa del gas, è necessario utilizzare un tecnico autorizzato del gas per collegare l'alimentazione del gas.

Se si utilizza una bombola di propano standard, può essere collegata dalla persona che installa l'apparecchio. È proprio come collegarsi a un barbecue a gas. Se hai la fornitura di gas attraverso tubi sotterranei, devi farti aiutare da un tecnico del gas.

DESIGN

Selezione una posizione adatta

I pozzi del fuoco a gas devono essere posizionati a una distanza di sicurezza dalla tua casa o da qualsiasi struttura combustibile, come un capannone o una recinzione di legno, ecc. Non installare mai un pozzo del fuoco a gas vicino a una fonte di alimentazione o una candela a strapiombo. Inoltre, prima di decidere il luogo di installazione, assicurarsi che non ci siano cavi elettrici o altri servizi sotto terra.

In genere si consiglia una distanza di almeno 3 metri dalle strutture vicine. Non installare sotto qualsiasi forma di copertura del tetto, o vicino ad alberi sporgenti, ecc. Non usare mai un pozzo del fuoco a gas all'interno della tua casa.

I pozzi del fuoco sono SOLO per esterni.

Oltre all'aspetto della sicurezza, devi considerare anche l'estetica e l'uso funzionale del tuo pozzo del fuoco. Ha bisogno di "confondersi" e "distinguersi", poiché diventerà rapidamente il punto focale principale del tuo giardino. I pozzi del fuoco a gas sono solitamente installati in qualche forma di struttura in cemento o mattoni, per adattarsi all'area del patio circostante. Avrai anche bisogno di qualche forma di posto a sedere che circonda il tuo pozzo del fuoco. Questa può essere una struttura permanente come parte del tuo paesaggio o semplicemente utilizzare i tuoi mobili da esterno esistenti. Se si utilizzano posti a sedere permanenti, è necessario considerare la distanza ideale dal sedile al pozzo del fuoco, in modo da tenersi al sicuro, oltre a tenersi al caldo. Una distanza tipica dal centro del pozzo del fuoco al bordo del sedile sarebbe di circa 1,3 metri.

Ventilazione

Piano per consentire una ventilazione adeguata. Sfiati posti sui lati opposti sono NECESSARI per evitare che i gas incombusti si raccolgano e provochino un'esplosione. Il propano/butano è più pesante dell'aria, quindi le prese d'aria dovrebbero essere posizionate più vicino al fondo per consentire la fuoriuscita di gas incombusto. Il gas naturale è più leggero dell'aria, quindi le prese d'aria dovrebbero essere posizionate più vicino alla parte superiore.

COSTRUIRE

Ciò che costruirai dipenderà dal tipo, dalle dimensioni e dalla forma del tuo pozzo del fuoco e dal design del tuo giardino. Non possiamo coprire tutti i design e le opzioni immaginabili, ma abbiamo incluso alcune idee di installazione "generiche" e suggerimenti.

ATTENZIONE: Tutti i pozzi del fuoco avranno bisogno di fori di ventilazione alla base del pozzo del fuoco. Non ostruire le prese d'aria nella parte inferiore del tavolo del fuoco. Queste prese d'aria devono essere posizionate a livello del suolo.

Ci sono QUATTRO ottime ragioni per fornirle.

1. Consentono all'acqua piovana di fuoriuscire dall'interno della fossa, nell'area del patio circostante. Senza di essi, il pozzo del fuoco si riempirebbe rapidamente d'acqua, il che potrebbe causare danni al bruciatore del pozzo del fuoco e invalidare la garanzia.

2. Consentono l'aspirazione dell'aria, che potrebbe causare danni al bruciatore del pozzo del fuoco e invalidare la garanzia.

3. Consentono l'aspirazione dell'aria, sotto il bruciatore del pozzo del fuoco. Questo aiuta la combustione e produce fiamme più grandi.

4. L'area sotto il bruciatore può diventare estremamente calda. Le prese d'aria consentiranno a questo calore in eccesso di dissiparsi.

Il gas propano/butano/LPG è più pesante dell'aria e l'eventuale gas incombusto si raccoglierà all'interno della base del pozzo del fuoco. Senza fori di ventilazione per consentire a questo gas di fuoriuscire, il gas si accumulerà gradualmente, fino a raggiungere una fonte di accensione, dove esploderà con grande forza. Ciò potrebbe causare lesioni gravi.

Posizione

Se metti il pozzo del fuoco nell'erba, segna un'area delle stesse dimensioni del pozzo del fuoco e rimuovi tutta l'erba, la zolla e le radici. Rimuovere 5 cm di terreno all'interno della stessa area. Assicurati di livellare il terreno in cui verrà costruito il tuo pozzo del fuoco e aggiungere tra 2,5-5 cm di base della finitrice. Imballare la base della finitrice e utilizzare una livella durante tutto il processo.

INSTALLARE

Posizionamento della roccia lavica

• Posiziona la roccia lavica a mano. NON scaricare il sacchetto nel vassoio per evitare di intasare il bruciatore con la polvere.

• Posizionare la roccia lavica a un livello di circa 1-2 cm sopra la parte superiore del bruciatore. Assicurarsi di non bloccare la scatola dell'accenditore con roccia lavica per garantire una corretta accensione.



CORRETTA



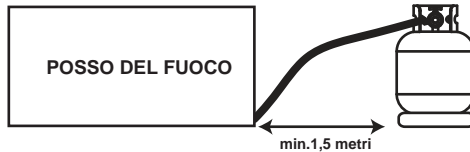
ERRATO

NOTA: Quando vuoi spostare o pulire le rocce laviche, assicurati sempre che si siano raffreddate completamente.

INSTALLARE

Posizionamento della bottiglia

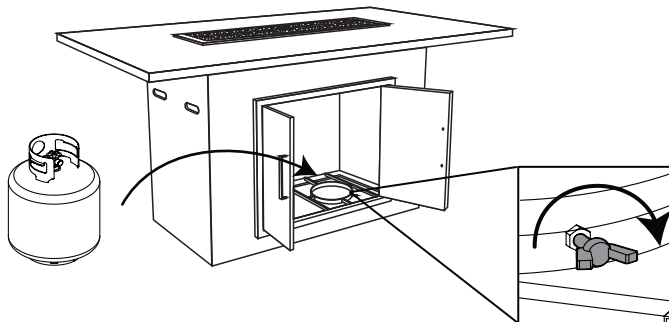
- Assicurarsi che la bombola del gas sia stabile su una superficie non infiammabile.
- Posizionare la bombola del gas a min. distanza di 1,5 metri dal bruciatore incorporato. Fai attenzione posizionando il tubo del gas, persone e animali domestici possono inciampare su di esso. Posizionare infatti la bombola quindi sempre in un luogo dove non è possibile camminare e dove bambini e animali domestici non possono raggiungerlo.
- Il tubo del gas LPG deve essere controllato annualmente per assicurarsi che sia in buone condizioni.
- Quando l'apparecchio non viene utilizzato per periodi prolungati, il tubo flessibile deve essere scollegato dall'apparecchio e il regolatore scollegato dalla bombola. L'insieme deve quindi essere conservato secondo le pratiche consigliate.



Collegare la bombola del gas all'unità

Il regolatore del gas varia in base al paese. Utilizzare un regolatore del gas conforme alle normative locali.

1. Collegare il tubo al nipplo di ingresso del collettore e serrare la fascetta stringitubo. Assicurarsi che tutte le filettature e le superfici di collegamento siano integre, pulite e prive di sporco. Quando si monta il tubo assicurarsi che non presenti torsioni, attorcigliamenti o curve strette. Non lasciare che il tubo tocchi superfici calde o spigoli vivi.
2. Fissare il regolatore alla bombola del gas. Fare riferimento alle istruzioni fornite con il regolatore per i dettagli relativi al montaggio.
3. Test per perdite di gas. Eseguire una prova di tenuta ogni volta che si installa la bombola, indipendentemente dal fatto che sia stata riempita o meno. Ricordarsi di chiudere la valvola della bombola prima di rimuovere il tubo.
4. Assicurarsi di proteggere il tubo da qualsiasi superficie calda. Se il tubo entra in contatto con una superficie calda, possono verificarsi gravi pericoli.
5. Se la bombola del gas è nascosta all'interno del focolare. Posizionare la bombola del gas nel supporto di metallo all'interno del corpo e assicurarsi che la bombola del gas si trovi completamente sul supporto di metallo. Ruotare la vite ad alette sulla parte esterna del supporto metallico in senso orario per fissare saldamente la bombola del gas.



AVVERTIM

- All'interno può essere collocata una sola bombola del gas.
- Non conservare altre bombole del gas all'interno

INSTALLARE

Collegare il gas naturale all'unità

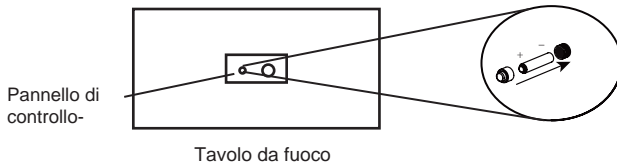
1. Collegare il tubo al raccordo di ingresso del collettore con un connettore NG standard nazionale e fissare il tubo al raccordo di ingresso del collettore.
Assicurarsi che tutte le filettature e le superfici di collegamento siano integre e pulite. Quando si monta il tubo assicurarsi che non presenti torsioni, attorcigliamenti o curve strette. Proteggere il tubo da eventuali spigoli vivi.
2. Collegare un'estremità del tubo alla valvola di intercettazione principale del gas della rete cittadina.
3. Eseguire una prova di tenuta ogni volta che si ricollega il collegamento del gas. Se il tubo presenta deterioramento o danneggiamento, eseguire una prova di tenuta su tutta la superficie esterna.
Ricordarsi di spegnere il gas della rete cittadina prima di rimuovere il tubo.

AVVERTIMENTO

- L'installazione e l'assistenza devono essere eseguite da un installatore qualificato, un'agenzia di servizi o un fornitore di gas.
- L'installazione, la regolazione, l'alterazione, l'assistenza o la manutenzione improprie possono causare lesioni o danni alla proprietà.

Posizionamento della batteria

Assicurarsi che il sistema di alimentazione del gas sia su "OFF". Installare la batteria AAA come mostrato nel diagramma seguente.



PROVA DI TENUTA

⚠ AVVERTIMENTO

Prima di utilizzare questo tavolo antincendio per esterni, assicurarsi di aver letto, compreso e di seguire tutte le informazioni fornite nella sezione Informazioni importanti sulla sicurezza di questo manuale. La mancata osservanza di tali istruzioni può causare morte, lesioni gravi o danni materiali.

- Prima di ogni funzionamento del caminetto a gas, controllare che il tubo e la valvola non presentino eccessiva abrasione o usura attraverso il foro di controllo visivo sul lato della base. Sostituire il tappo di controllo visivo prima di azionare il caminetto.

Collegamenti del bruciatore

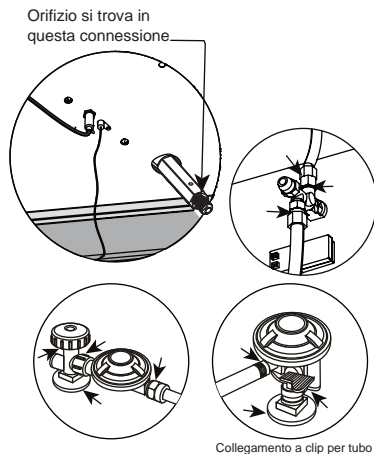
Assicurarsi che la valvola di regolazione e le connessioni dei tubi flessibili siano fissate saldamente al bruciatore e alla bombola. Se l'unità è stata assemblata per te, controllare visivamente il collegamento tra il tubo del bruciatore e l'orifizio.

Assicurarsi che il tubo del bruciatore si adatti all'orifizio.

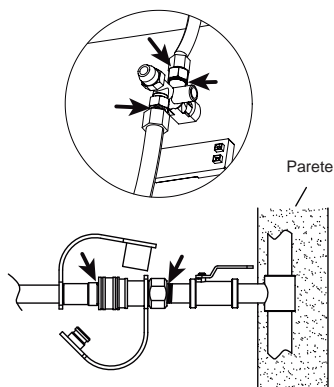
Controllo delle perdite

1. Preparare una soluzione per il controllo delle perdite mescolando 1 parte di detersivo per piatti con 3 parti di acqua in un flacone spray.
2. Assicurarsi che la manopola di controllo sia su "OFF". Quindi, accendere il propano o il gas naturale alla fonte.
3. Spruzzare la soluzione di perdita sui raccordi delle valvole prestando particolare attenzione alle aree indicate dalle frecce.
4. Se compaiono bolle, spegnere il propano o il gas naturale, ricollegare e ripetere il test. Se dopo diversi tentativi si continuano a vedere bolle, scollegare la fonte di propano o gas naturale e contattare ELEMENTI.

Se non compaiono bolle dopo un minuto, spegnere la sorgente, rimuovere la soluzione e procedere.



Verificare la presenza di perdite in questi luoghi
Per unità propano/butano



Verificare la presenza di perdite in questi luoghi
Per unità a gas naturale

ISTRUZIONI PER L'ILLUMINAZIONE

Utilizzo dell'accenditore

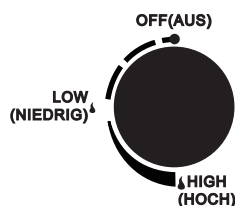
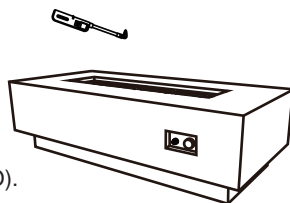
1. Leggere le istruzioni prima dell'accensione.
2. La manopola di controllo deve essere in posizione "OFF".
3. Collegare la bombola del gas o la fonte di gas naturale, aprire lentamente la valvola.
4. Tenere premuto il pulsante di accensione per creare scintille.
5. Tenendo premuto il pulsante di accensione con una mano, utilizzare l'altra mano per spingere e ruotare la manopola di controllo in posizione "LOW"(BASSO) per accendere il bruciatore.
6. Se l'accensione non avviene entro 5 secondi, premere e ruotare la manopola di controllo su "OFF", attendere 5 minuti e lasciare dissipare il gas.
7. Una volta acceso il bruciatore, continuare a tenere premuta la manopola per altri 20 secondi e rilasciare.
8. Osservare la fiamma, assicurarsi che tutte le porte del bruciatore siano accese.
9. Regolare la fiamma alla fiamma desiderata con la manopola di controllo.



Se la procedura di accensione in queste istruzioni non viene seguita esattamente, potrebbe verificarsi un incendio o un'esplosione! causando danni materiali, lesioni personali o morte. Tenere la roccia lavica coperta e assicurarsi che sia asciutta prima di prendere fuoco.

Usando un fiammifero lungo o un accendino

1. Prima dell'accensione, usa una pala per spostare le rocce laviche per accedere al bruciatore.
2. Indossando guanti resistenti al calore, posizionare il lungo fiammifero acceso o l'accendino a butano acceso vicino al lato del bruciatore. NON sporgersi sul tavolo del fuoco mentre si accende!
3. Ruotare la manopola di controllo in senso antiorario su "LOW"(BASSO).
4. Rimuovere fiammifero lungo/accendino butano lungo.
5. Dopo l'illuminazione, utilizzare una pala e guanti resistenti al calore per riportare con cura le rocce laviche nella loro posizione corretta.
6. Osservare la fiamma, assicurarsi che tutte le porte del bruciatore siano accese.
7. Regolare la fiamma all'altezza desiderata con la manopola di controllo.



AVVERTIMENTO

Se la fame del bruciatore si esaurisce durante il funzionamento, ruotare immediatamente la manopola di comando su "OFF" e lasciare che il gas si liberi per almeno 5 minuti prima di tentare di riaccendere il tavolo del fuoco.



AVVERTIMENTO

Quando si utilizza questo metodo per accendere il tavolo da fuoco, utilizzare guanti resistenti al calore e seguire le istruzioni. In caso contrario, potrebbero verificarsi gravi lesioni.

SPENTO

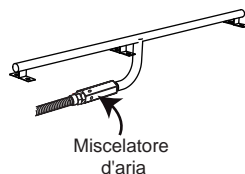
1. Ruotare e spingere la manopola di controllo in senso orario fino alla posizione "OFF".
2. Ruotare la valvola sulla bombola del gas per chiuderla.

MANUTENZIONE E PULIZIA

Ispezione

Questo tavolo da fuoco per esterni deve essere ispezionato regolarmente per garantire che il prodotto sia sicuro da usare e per prolungarne la durata.

- Controllare il bruciatore per assicurarsi che sia saldamente in posizione.
- Controllare il miscelatore d'aria per assicurarsi che sia pulito e privo di insetti, nidi di ragni e altri detriti (vedi foto).
- Controllare tutti i collegamenti del gas per eventuali perdite.
- Controllare il sistema di accensione per assicurare una corretta scintilla.
- Controllare i componenti per eventuali segni di danneggiamento, ruggine o usura eccessiva.
- Se viene rilevato un danno a qualsiasi componente, NON azionare fino a quando non sono state eseguite le riparazioni appropriate.



Miscelatore
d'aria



AVVERTIMENTO NON ispezionare questo camino esterno fino a quando il fuoco non è **COMPLETAMENTE** spento.



AVVERTIMENTO

NON manomettere questo apparecchio. Questo è **PERICOLOSO** e invalida la garanzia. Qualsiasi parte ritenuta difettosa deve essere sostituita con una parte approvata, confermata dal produttore. Per supporto tecnico contattare **ELEMENTI**.

Cura generale e pulizia

Acciaio inossidabile

- Per la pulizia generale, utilizzare acqua tiepida, sapone, ammoniaca o detersivo applicare con un panno morbido o una spugna
- Per impronte digitali o macchie ostinate utilizzare Stainless Steel Cleaner and Polish o Stainless Shine, applicare con un panno morbido nella stessa direzione delle linee di lucidatura.
- Durante l'utilizzo in ambienti con aria salmastra, consigliamo di pulire tutte le superfici in acciaio inossidabile almeno ogni due settimane per mantenere l'articolo in ottime condizioni. L'acciaio inossidabile è resistente alla corrosione ma non è inattaccabile dalla ruggine. L'esposizione all'aria salmastra e agli spruzzi marini causerà ruggine superficiale se non ti prendi cura dei tuoi prodotti in modo appropriato.
- La cosa migliore che puoi fare per proteggere l'acciaio inossidabile è pulirlo frequentemente.

Superficie del tavolo da fuoco

Si prega di consultare di seguito per consigli su come mantenere la superficie del caminetto per anni di uso prolungato:

- Pulisci immediatamente eventuali fuoriuscite per evitare macchie permanenti sulla superficie o danni al caminetto.
- Asciugare eventuali fuoriuscite di liquidi con un panno pulito e asciutto per evitare che si diffondano sul resto del caminetto.
- Pulizia immediata delle macchie e tamponamento delle fuoriuscite impedisce anche l'assorbimento di tali macchie/versamenti nelle superfici, rispetto a se tali macchie/versamenti vengono lasciati per periodi prolungati su queste superfici.

Come applicare un sigillante a base d'acqua:

1. Questo camino esterno deve essere mantenuto regolarmente (normalmente da 3 a 6 mesi) per garantire un uso sicuro e prolungare la vita del prodotto.
2. Si prega di garantire che tutti i trattamenti siano privi di polvere. Pulire leggermente i sigillanti sulla superficie del calcestruzzo con uno straccio morbido, quindi rimuovere i residui dopo che la superficie del calcestruzzo si è completamente asciugata.

MANUTENZIONE E PULIZIA

Come pulire la superficie del tavolo da fuoco:

1. Mescolare un detersivo per piatti delicato in acqua tiepida e pulita, usa un panno o una spugna morbidi e puliti.
2. Quindi procedere alla rimozione di sporco superficiale, macchie o versamenti di lieve entità.
3. Sciacquare tutta la soluzione di sapone dalle superfici con un panno umido.
4. Asciugare completamente con un panno asciutto per evitare macchie d'acqua/macchie d'acqua.
5. La pulizia regolare della superficie del camino aiuterà a ottenere un prodotto più duraturo.

Avvertimento

- NON utilizzare prodotti per la pulizia a base di petrolio o abrasivi.
- NON utilizzare spazzole dure/spugne ruvide per pulire le superfici del camino.
- NON far scorrere i prodotti sulla superficie del camino per evitare graffi e/o danni permanenti.
- NON appoggiare cibo sulla/e superficie/e del caminetto.
- NON mangiare dalle superfici del camino.
- La superficie del camino deve essere sempre coperta quando non viene utilizzata.
- Copri il tuo prodotto quando non è in uso per proteggerlo dalle intemperie.
- Conserva il tuo prodotto al chiuso durante i mesi invernali.
- Evitare temperature estremamente fredde, poiché temperature estreme possono causare crepe sul piano del tavolo.

CONSERVAZIONE

- Ruotare la manopola di controllo in posizione "OFF".
- Portare la bombola LPG in posizione "OFF".
- Conservare l'apparecchio in un luogo fresco e asciutto, lontano da bambini e animali domestici, al riparo dalle intemperie e dal vento e non alla luce diretta del sole.
- NON conservare in un luogo in cui la temperatura superi i 50°C.
- Copri SEMPRE il tuo tavolo da fuoco esterno quando non è in uso.
- NOTA: Attendere che l'apparecchio si sia raffreddato prima di coprire.

RISOLUZIONE DEI PROBLEMI

Problema: Il bruciatore non si accende

Possibile causa 1: La manopola di controllo non è in posizione Massima (fiamma grande).

-Ruotare la manopola di comando in posizione Massima (fiamma grande).

Possibile causa 2: La valvola della bombola del gas è chiusa/La bombola del gas è vuota.

-Aprire la valvola / Sostituire la bombola del gas con una nuova.

Possibile causa 3: Ostruzione nell'orifizio (iniettore).

-Pulire o sostituire l'orifizio (iniettore).

Possibile causa 4: Aria nel circuito del gas.

-Aprire la linea del gas e spurgare (premendo la manopola di controllo) per non più di 1 minuto o fino a quando non si sente odore di gas.

Possibile causa 5: Bassa pressione del gas.

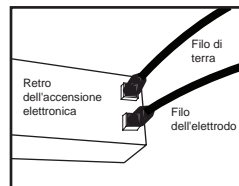
-Sostituire la bombola LPG con una nuova.

Possibile causa 6: L'accenditore si guasta. (Non si sente uno scatto o non si vede una scintilla nell'alloggiamento dell'accenditore).

-Utilizzare il fiammifero per accendere il bruciatore.

-Cambiare la batteria o procurarsi un nuovo accenditore e sostituirlo.

-Guardare sotto il tavolo del fuoco e assicurarsi che il filo dell'elettrodo sia inserito correttamente nella parte posteriore della scatola di accensione elettronica. Durante l'ispezione del filo dell'elettrodo, assicurarsi che non sia tagliato o rotto in nessun punto. Se il cavo è stato danneggiato, contattare il rivenditore.



Problema: Il bruciatore non rimarrà acceso

Possibile causa 1: Accumulo di sporco attorno al bruciatore.

-Pulire sporco attorno al bruciatore.

Possibile causa 2: Fiamme basse o non piene girano intorno al bruciatore.

-Fori spartifiamma parzialmente chiusi; Pulisci il bruciatore.

Possibile causa 3: La termocoppia/l'elettrodo non funziona correttamente.

-Termocoppia: La punta della termocoppia deve essere posizionata vicino al bruciatore, allineata con una porta di combustione in modo che le fiamme lo contattino direttamente. Assicurarsi che le fiamme siano in contatto con la punta della termocoppia.

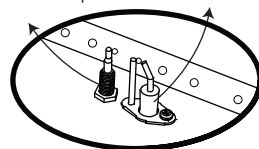
-Elettrodo: L'elettrodo è il punto in cui viene generata la scintilla per accendere il tavolo del fuoco. Assicurarsi di poter vedere questa scintilla quando viene premuto il pulsante di accensione.

Possibile causa 4: Termocoppia danneggiata

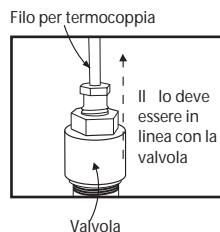
-Se l'alloggiamento dell'accenditore e la punta della termocoppia sono privi di detriti e la fiamma è chiaramente a contatto con la punta della termocoppia, ma il piano di cottura continua a non rimanere acceso, la termocoppia potrebbe essere danneggiata. Guardare sotto il tavolo e trovare il filo della termocoppia di rame che esce dal retro della valvola. Esaminare la lunghezza di esso per eventuali segni di danni. Curve strette, attorcigliamenti o danni possono causare il malfunzionamento della termocoppia. Se si riscontrano danni alla termocoppia, contattare il rivenditore per la sostituzione.

Termocoppia
Assicurarsi che la punta della termocoppia sia a contatto con questa.

Elettrodo
Dovresti vedere questa scintilla quando premi il pulsante di accensione.



Alloggiamento dell'accenditore rimosso per visibilità



RISOLUZIONE DEI PROBLEMI

Possibile causa 5: Venti forti

-Il tuo tavolo da fuoco è progettato per funzionare con vento fino a 3 m/s. I forti venti possono far spegnere la fiamma. Non utilizzare il tavolo da fuoco in condizioni di vento forte.

Problema: La fiamma del bruciatore è bassa.

NOTA: Non azionare l'apparecchio al di sotto di 5 °C

Possibile causa 1: La temperatura esterna è maggiore di 5 °C e la bombola del gas è piena per meno del 25%.

-Sostituire la bombola del gas con una nuova.

Possibile causa 2: Il tubo del gas è piegato o attorcigliato.

-Raddrizzare il tubo ed eseguire il test di tenuta sul tubo del gas.

Altro problema

Accumulo di carbonio

Causa possibile: Sporco o pellicola sul bruciatore.

-Pulire il bruciatore.

Nero lampeggiante (fiamma all'interno del bruciatore)

Causa possibile: Le porte del bruciatore sono bloccate.

-Spegnere l'apparecchio. Chiudere la valvola della bombola del LPG. Attendere 2 minuti, seguendo la procedura di accensione. Accendi il bruciatore. Se il problema persiste, spegnere. Contatta il tuo rivenditore.

Fumo nero denso

Causa possibile: Blocco nel bruciatore.

-Ruotare la manopola di comando in posizione "OFF", lasciare raffreddare l'apparecchio a temperatura ambiente, rimuovere l'ostruzione e pulire il bruciatore all'interno e all'esterno.

Garanzia

Ocean Rock EU GmbH, che opera come Elementi, garantisce che le caratteristiche e gli accessori del fuoco di Elementi sono privi di difetti nelle parti e nella lavorazione in condizioni di uso e servizio normali per un periodo di 1 anno dalla data di acquisto. In caso di tali difetti Elementi, a sua discrezione, riparerà o sostituirà il prodotto difettoso. Quanto sopra è a discrezione di Elementi.

Non ci sarà alcun addebito per le parti di ricambio o il prodotto, tuttavia sarà cura del consumatore restituire il prodotto nel luogo di acquisto originale.

Elementi non saranno responsabili per danni consequenziali eccedenti il prezzo di acquisto del prodotto su cui si basa tale responsabilità e la garanzia non copre i costi inclusi il trasporto, la rimozione e la reinstallazione.

Questa garanzia non è trasferibile e si applica solo alle unità che sono solo per uso personale non commerciale.

In base a questo contratto di garanzia, tutte le linee del gas devono essere installate da un installatore autorizzato.

I danni causati da spedizione, macchie e uso improprio non sono coperti da questa garanzia. Ammacature, graffi, sbiadimento e agenti atmosferici naturali non sono coperti da questa garanzia.

La roccia decorativa non è coperta da questa garanzia. Installazioni, riparazioni o modifiche improprie effettuate da soggetti diversi da Elementi annulleranno questa garanzia e anche qualsiasi danno causato da tale non è coperto da questa garanzia.

Piccole scheggiature, sbiadimento degli agenti atmosferici, macchie d'acqua e crepe non strutturali dell'attaccatura dei capelli sono tipici del materiale di questo prodotto e non sono coperti da questa garanzia. Alcune variazioni di colore e consistenza sono tipiche del materiale e della finitura di questo prodotto e non sono coperte da questa garanzia.

Il calcestruzzo colato è un processo finito a mano. In quanto tale, la finitura di questo prodotto varia in base all'unità. Ci sarà una variazione di colore fino al 15% in ciascuna unità. Potrebbero anche esserci texture o motivi irregolari, nonché piccoli fori sulla superficie causati dall'aria o dall'acqua intrappolate sulla superficie durante la colata. Questa è una caratteristica normale del calcestruzzo colato e non è coperta da garanzia.

Español



IMPORTANTE
GUARDE ESTAS INSTRUCCIONES



ADVERTENCIA

Solo para uso en exteriores.
NO lo utilice para cocinar.
NO lo utilice bajo ningún tipo de techo.



ADVERTENCIA

- Si no se sigue exactamente la información de este manual, puede producirse un incendio o una explosión que provoque daños materiales, lesiones personales o la pérdida de la vida.
- La instalación y el mantenimiento deben ser realizados por un instalador cualificado, una agencia de servicios o un proveedor de gas. La instalación, el ajuste, la alteración, el mantenimiento o la reparación inadecuados pueden causar lesiones o daños a la propiedad.
- Lea las instrucciones de instalación, funcionamiento y mantenimiento detenidamente antes de instalar o reparar este equipo.
- Guarde estas instrucciones para futuras consultas. Si está armando esta unidad para otra persona, entréguele este manual para que lo lea y guarde las instrucciones para futuras consultas.



PELIGRO

Si huele a gas:

- Cierre el gas del equipo.
- Apague cualquier llama viva.
- Si el olor continúa, aléjese del aparato y llame inmediatamente a su proveedor de gas o a los bomberos.



ADVERTENCIA

- No almacene ni utilice gasolina u otros vapores y líquidos inflamables cerca de este o cualquier otro aparato.
- No almacene una bombona de gas que no esté conectada al aparato ni a ningún otro.

Este equipo ha sido diseñado y fabricado de acuerdo con la norma EN14543:2017 (BS EN 14543: 2017 para UKCA) y con el fin de acreditar el cumplimiento de los requisitos esenciales del Reglamento de aparatos de gas (EU) 2016/426.

Nunca utilice un material diferente y siempre siga las normas nacionales vigentes en el país de destino. Estos accesorios deben ser sustituidos periódicamente, de acuerdo con la fecha indicada en el cuerpo de cada uno de ellos, o de acuerdo con las normas nacionales en vigor del país de destino.

ADVERTENCIAS DE SEGURIDAD DEL FOGONERO DE GAS

- Un espacio bien ventilado debe tener como mínimo el 25 % de la superficie abierta.
- Se entiende por superficie la suma de la de las paredes.
- No obstruya los orificios de ventilación de la carcasa de la bombona.
- Este aparato y la bombona de gas deben ser utilizados y almacenados de acuerdo con la normativa vigente.
- **ADVERTENCIA: ESTE APARATO TIENE UNA LLAMA VIVA, SE DEBE UTILIZAR UNA PROTECCIÓN ADECUADA PARA PROTEGER A LOS NIÑOS PEQUEÑOS, A LOS ANCIANOS Y A LOS ENFERMOS.**

"El equipo debe instalarse de acuerdo con las instrucciones y las normas nacionales vigentes en el país de destino".

- Lea atentamente las instrucciones antes de utilizar este aparato -Nunca utilice este aparato en interiores, en vehículos o en barcos.
- Si no se siguen exactamente las instrucciones de este manual, pueden producirse situaciones de peligro; asegúrese de que todas las piezas estén colocadas en su sitio.
- Cualquier modificación en el aparato puede ser peligrosa; la instalación, el ajuste, la alteración, el mantenimiento o la reparación inadecuados pueden causar lesiones personales o daños materiales.
- La instalación y la reparación deben ser realizadas por un servicio técnico cualificado, una agencia o un proveedor de gas; ¡nunca lo haga usted mismo!
- No utilice este aparato hasta que todas las conexiones hayan sido sometidas a una prueba de estanqueidad. No lo ponga en funcionamiento si se detecta alguna fuga; compruebe la fuga en todo momento con espuma de detergente (nunca usando una llama). En caso de fuga de gas, el aparato no debe ser utilizado; corte el suministro de gas e inspeccione y rectifique el aparato por un servicio técnico cualificado, una agencia o un proveedor de gas antes de volver a utilizarlo.
- El aparato debe ser vigilado todo el tiempo mientras esté en funcionamiento y nunca intente desconectar el regulador de gas o los accesorios de gas.
- Este artefacto es sólo decorativo y queda estrictamente prohibido hacer cualquier tipo de cocción. Nunca utilice carbón ni ningún otro combustible sólido, salvo las rocas de lava suministradas con el aparato.
- No quemar basura ni otros materiales sobre este aparato; tampoco vierta agua en él.
- No almacene ni utilice gasolina u otros vapores y líquidos inflamables cerca de este o cualquier otro artefacto.
- Solo utilice el tipo de gas (véase el ajuste en la sección "Especificaciones" y también la marca del aparato) especificado por el fabricante.
- Utilice únicamente el cilindro de gas especificado por el fabricante.
- Cierre la válvula de la bombona de gas o del regulador de gas antes de mover el aparato.
- No mueva el aparato durante su uso. Una vez que se ha girado a la posición "APAGADO", espere que la temperatura se haya enfriado (al menos 30 minutos).

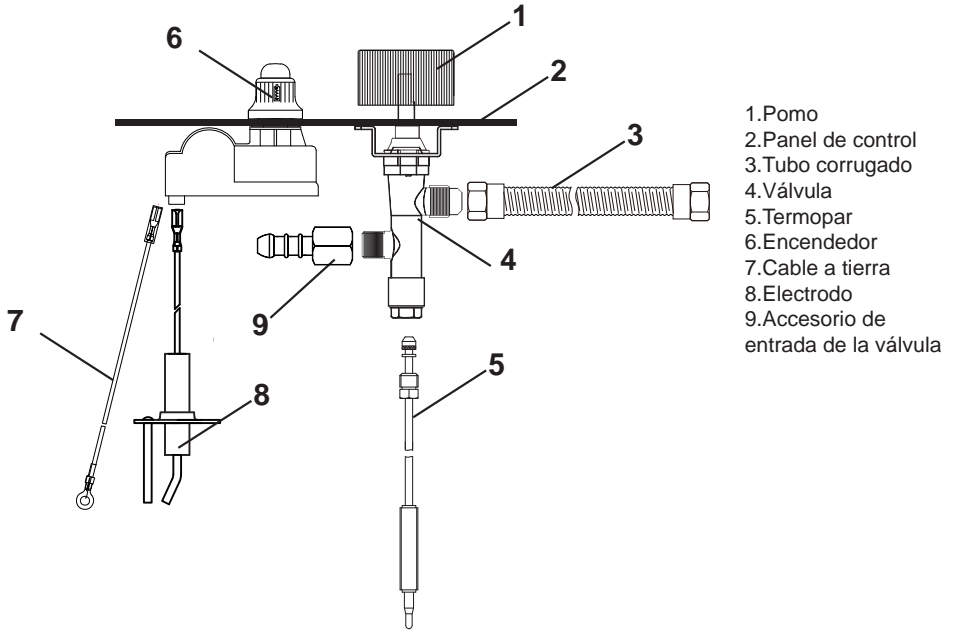
ADVERTENCIAS DE SEGURIDAD DEL FOGONERO DE GAS

- Siempre utilice el aparato sobre una superficie horizontal no combustible para mantenerlo estable.
- Compruebe que la junta del regulador de gas está colocada de forma correcta y que puede cumplir su función.
- Cierre el suministro de gas en el cilindro de gas después de su uso.
- El tubo flexible de metal o caucho, utilizado para conectar el aparato con el cilindro de gas, debe ser reemplazado dentro de los plazos prescritos y de acuerdo con las Normas Nacionales vigentes (ver fecha de caducidad en el tubo flexible de metal o caucho).
- Revise la tubería flexible de metal o goma utilizada por lo menos una vez al mes y mientras se cambia el cilindro de gas; si muestra signos de grietas, rajaduras o deterioro, debe cambiarse por uno nuevo de la misma longitud y calidad equivalente.
- Se debe revisar el aparato antes de utilizarlo y al menos una vez al año (ver "Mantenimiento")
- Una temperatura inferior a 5 °C provocará la restricción del flujo de gas y el aparato no funcionará correctamente.
- No arrojar al fuego ni lo deseché a la basura. Después de su uso, manipule el producto como si fuera peligroso para el medio ambiente.
- Retire la batería cuando no se vaya a utilizar el aparato durante un periodo de tiempo prolongado.
- Calentamiento: las partes accesibles pueden estar muy calientes. Mantenga alejados a los niños pequeños.
- Se debe advertir a las personas del peligro que suponen las altas temperaturas de la superficie y deben mantenerse alejadas para evitar quemaduras o la inflamación de la ropa.
- Si se apaga el fuego, ponga el suministro de gas en posición "OFF" y espere 2 minutos antes de intentar encenderlo de nuevo.
- Los niños deben ser supervisados atentamente cuando se encuentren en la zona del artefacto; nunca permita que lo utilicen.
- No se debe colgar ropa u otros materiales inflamables en el aparato, ni colocarlos cerca del mismo.
- Las distancias mínimas a respetar con materiales combustibles no protegidos son de al menos 1,2 metro.
- Este aparato debe mantenerse alejado de materiales inflamables.
- No coloque ninguna otra cubierta de fogata ni nada inflamable sobre, debajo o al lado del aparato.
- No apoye los pies en el aparato mientras esté en funcionamiento.
- Aleje el cable de alimentación eléctrica y el tubo de goma de cualquier superficie caliente.
- Las piezas selladas por el fabricante o su agente no pueden ser manipuladas por el usuario.

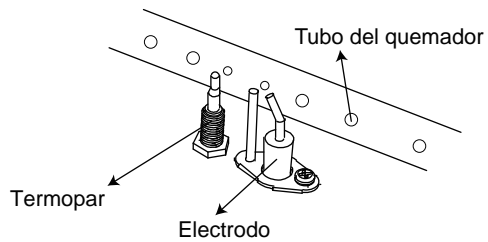
ADVERTENCIA: ESTE ARTEFACTO TIENE UNA LLAMA VIVA; SE DEBE UTILIZAR UNA PROTECCIÓN ADECUADA PARA PROTEGER A LOS NIÑOS PEQUEÑOS, LOS ANCIANOS Y LOS ENFERMOS.

VISTA AMPLIADA

Conexión de la pieza de control

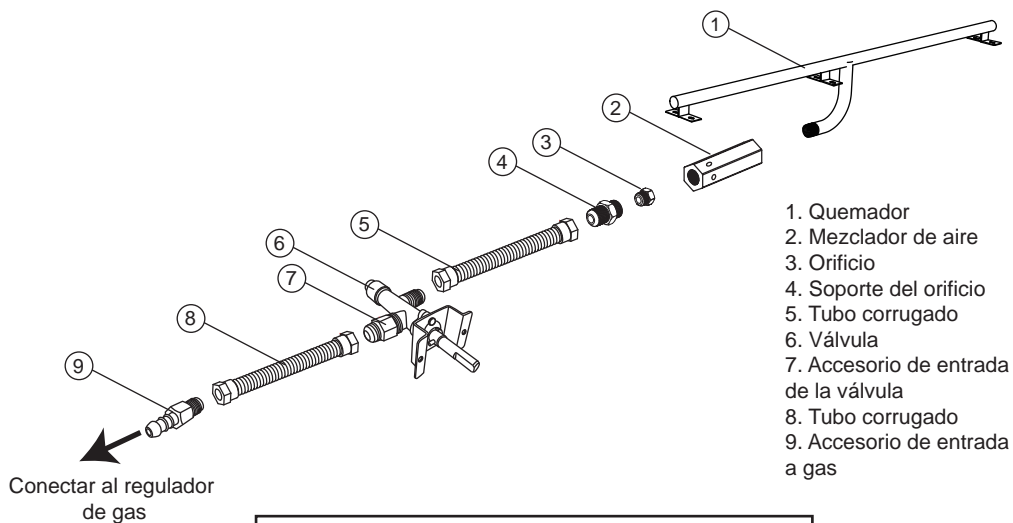


Conexión de la pieza de encendido

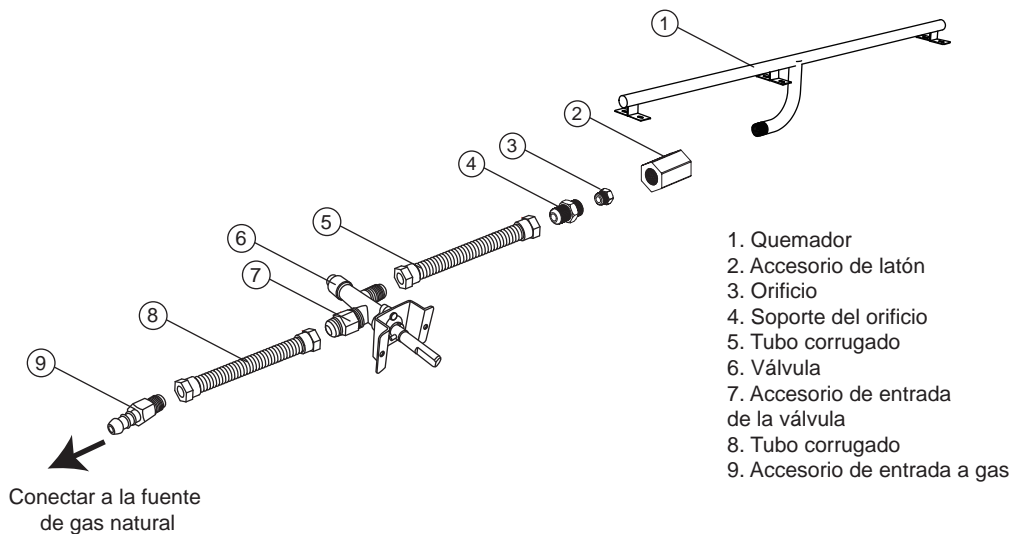


VISTA AMPLIADA

Conexión de propano / butano / GLP



Conexión de gas natural



INSTALACIÓN

Si la conexión se realiza a una instalación fija de gas, deberá recurrir a un técnico autorizado de gas para conectar el suministro de gas.

Si utiliza una bombona de propano/butano/GLP estándar, puede conectarla la persona que instala el aparato.

Es igual que la conexión a una parrilla de gas. Si el suministro de gas se realiza a través de tuberías subterráneas, deberá solicitar la ayuda de un técnico de gas.

DISEÑO

Seleccione una ubicación adecuada

Los fogoneros de gas deben estar ubicados a una distancia segura de su casa, o de cualquier estructura combustible, como un cobertizo, o una valla de madera, etc. Nunca instale un fogonero a gas cerca de una fuente de energía, o de una vela eléctrica que sobresalga. Además, antes de elegir el lugar de instalación, asegúrese de que no hay cables eléctricos u otros servicios bajo el suelo.

Por lo general, se recomienda una distancia de al menos 3 metros de las instalaciones cercanas.

No lo instale debajo de ningún tipo de cubierta, ni cerca de árboles colgantes, etc. No utilice nunca un fogonero de gas dentro de su casa.

Los fogoneros son solo para el exterior.

Aparte de la seguridad, también hay que tener en cuenta la estética y el uso funcional de su fogonero.

Tiene que "integrarse" y "destacar", ya que se convertirá rápidamente en el punto principal de su jardín.

Los fogoneros a gas suelen instalarse sobre una estructura de hormigón o ladrillo, para combinarlos con la zona del patio que los rodea. Asimismo, necesitará algún tipo de asiento que rodee su fogonero.

Puede ser una estructura permanente que forme parte de su jardín, o bien utilizar los muebles de su patio.

Si utiliza asientos permanentes, debe tener en cuenta la distancia ideal entre el asiento y el fogonero, para que esté seguro y se mantenga caliente. La distancia adecuada desde el centro del fogonero hasta el borde de los asientos es de 1,3 metros.

Ventilación

Planee proporcionar una ventilación adecuada. Las rejillas de ventilación situadas en lados opuestos son OBLIGATORIAS para evitar que el gas no quemado se acumule y provoque una explosión.

El propano/butano es más pesado que el aire, por lo que las rejillas de ventilación deben colocarse más cerca del fondo para permitir la salida de los gases no quemados. El gas natural es más ligero que el aire, por lo que las rejillas de ventilación deben colocarse más cerca de la parte superior.

CONSTRUCCIÓN

Lo que construya dependerá del tipo, tamaño y forma de su fogonero y del diseño de su jardín. No podemos abarcar todos los diseños y opciones imaginables, pero hemos incluido algunas ideas y consejos de instalación "genéricos".

ADVERTENCIA: Todas los fogoneros necesitarán orificios de ventilación en la base. No bloquee las rendijas de ventilación de la parte inferior de la mesa con fuego. Estas rendijas de ventilación deben colocarse a nivel del suelo.

Hay CUATRO grandes razones para colocarlas.

1. Permiten que el agua de lluvia salga del interior del fogonero, hacia el área del patio circundante. Sin ellas, su fogonero se llenaría rápidamente de agua, lo que podría dañar el quemador e invalidar la garantía.
2. Se produce una entrada de aire, de lo contrario se podría dañar el quemador e invalidar la garantía.
3. Permiten la entrada de aire bajo el quemador del fogonero. Esto ayuda a la combustión, y produce llamas más grandes.
4. El área bajo el quemador puede calentarse mucho. Las rendijas de ventilación permitirán que este exceso de calor se disipe.

El gas propano/butano/GLP es más pesado que el aire, y cualquier gas no quemado se acumulará dentro de la base de su fogonero. Sin orificios de ventilación que permitan la salida de este gas, éste se acumularía gradualmente hasta llegar a una fuente de ignición, donde explotaría con gran fuerza. Esto podría causar lesiones graves.

Ubicación

Si va a colocar su fogonero en el césped, marque un área del mismo tamaño y retire toda la hierba y las raíces que haya. Retire 5 cm de tierra en la misma área. Asegúrese de nivelar el suelo en el lugar donde se construirá su hoguera y añada una base de adoquines de entre 2,5 y 5 cm. Ponga la base de adoquines y utilice un nivelador durante todo el proceso.

MONTAJE

Colocación de la roca volcánica

- Coloque la roca volcánica manualmente NO vierta directamente la bolsa en la bandeja para evitar que se obstruya el quemador con polvo.
- Coloque la roca volcánica a un nivel de 1 a 2 cm por encima de la parte superior del quemador. Asegúrese de no tapar el módulo de encendido con la roca volcánica para garantizar un encendido correcto.



CORRECTO



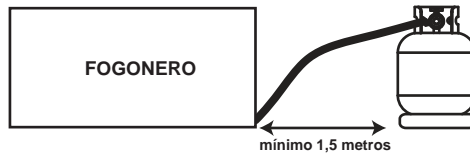
INCORRECTO

NOTA: Cuando desee mover o limpiar las rocas volcánicas, asegúrese siempre de que se hayan enfriado por completo.

MONTAJE

Colocación de la bombona

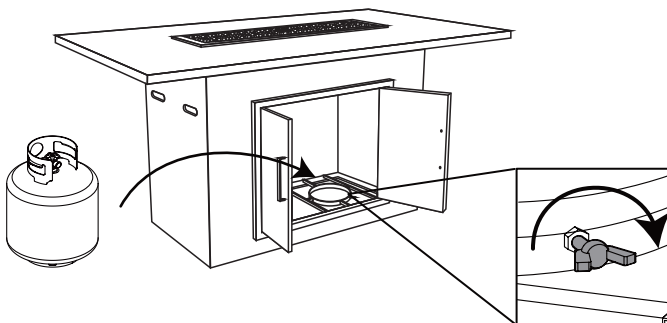
- Asegúrese de que la bombona de gas se mantiene estable sobre una superficie no inflamable.
- Coloque la bombona de gas a una distancia mínima de 1,5 metros del quemador incorporado. Tenga cuidado al colocar la manguera del gas, ya que las personas y los animales domésticos pueden tropezar con ella. Por lo tanto, coloque la bombona siempre en un lugar donde no se pueda caminar y donde los niños y las mascotas no puedan llegar.
- La manguera de gas LPG debe ser revisada anualmente para asegurarse de que está en buenas condiciones.
- Cuando no se utilice el equipo durante periodos prolongados, se debe desconectar la manguera del aparato y el regulador de la bombona. Los artefactos deben ser almacenados de acuerdo con las prácticas recomendadas.



Conecte la bombona de gas al equipo.

El regulador de gas varía según el país. Utilice un regulador de gas que cumpla con la normativa local.

1. Conecte la manguera a la boquilla de entrada del colector y apriete la abrazadera de la manguera. Asegúrese de que todas las roscas y superficies de conexión no estén dañadas, y que estén limpias y libres de suciedad. Al colocar la manguera, asegúrese de que no haya torceduras, dobleces ni curvas pronunciadas. No permita que la manguera toque ninguna superficie caliente o bordes afilados.
2. Conecte el regulador a la bombona de gas. Consulte las instrucciones suministradas con el regulador para obtener detalles sobre el montaje.
3. Compruebe si hay fugas de gas. Realice una prueba de fugas cada vez que se instale la bombona, se haya llenado o no. Recuerde cerrar la válvula de la bombona antes de retirar la manguera.
4. Asegúrese de proteger la manguera de cualquier superficie caliente. Si la manguera entra en contacto con cualquier superficie caliente, se puede producir un grave peligro.
5. Si la botella de gas está escondida dentro de la mesa con fuego. Coloque la bombona de gas en el soporte metálico del interior del cuerpo y asegúrese de asentarlo por completo. Gire el tornillo de mariposa de la parte exterior del soporte metálico en el sentido de las agujas del reloj para asegurar la bombona con firmeza.



ADVERTENCIA

- Se puede colocar una sola bombona de gas en el interior.
- No almacene otra bombona en el interior

MONTAJE

Conecte el gas natural al equipo

1. Conecte la manguera a la boquilla de entrada del colector con un conector de gas natural estándar nacional y fjela.

Asegúrese de que todas las roscas y superficies de conexión no estén dañadas y que estén limpias. Al colocar la manguera, asegúrese de que no haya torceduras, dobleces ni curvas pronunciadas. Proteja la manguera de cualquier borde afilado.

2. Conecte un extremo de la manguera a la válvula principal de cierre del gas de red local.

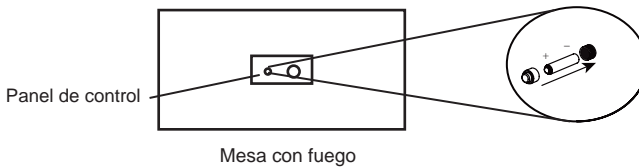
3. Realice una prueba de fugas cada vez que vuelva a conectar el gas. Si la manguera presenta deterioro o daños, realice una prueba de fugas en toda la superficie exterior. No olvide cerrar el gas de red local antes de retirar la manguera.

ADVERTENCIA

- La instalación y el mantenimiento deben ser realizados por un instalador cualificado, una agencia de servicios o un proveedor de gas.
- La instalación, el ajuste, la alteración, el mantenimiento o la reparación inadecuados pueden causar lesiones o daños a la propiedad.

Colocación de la batería

Asegúrese de que el sistema de suministro de gas está en "OFF" (apagado). Instale la batería AAA como se muestra en el siguiente diagrama.



PRUEBA DE FUGAS

⚠ ADVERTENCIA

Antes de utilizar esta mesa con fuego para exteriores, asegúrese de que ha leído, entendido y seguido toda la información proporcionada en la sección Información de seguridad importante de este manual. El incumplimiento de estas instrucciones puede causar la muerte, lesiones graves o daños a la propiedad.

- Antes de cada funcionamiento del fogonero, compruebe que la manguera y la válvula no presenten signos de abrasión o desgaste excesivos a través del orificio de comprobación visual situado en el lateral de la base. Vuelva a colocar la tapa de comprobación visual antes de poner en funcionamiento el equipo.

Conexiones del quemador

Asegúrese de que las conexiones de la válvula reguladora y de la manguera están bien sujetas al quemador y a la bombona. Si su unidad fue montada por usted, compruebe visualmente la conexión entre el tubo del quemador y el orificio.

Asegúrese de que el tubo del quemador encaja en el orificio.

Comprobación de fugas

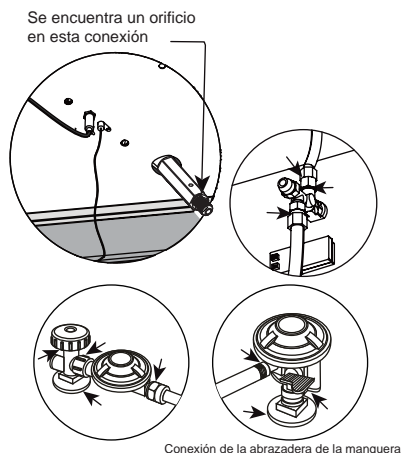
1. Prepare una solución de comprobación de fugas mezclando 1 parte de jabón lavavajillas con 3 partes de agua en un pulverizador.

2. Asegúrese de que la perilla de control esté en "OFF" (APAGADO). Luego, encienda el gas propano/butano/GLP o natural desde su fuente.

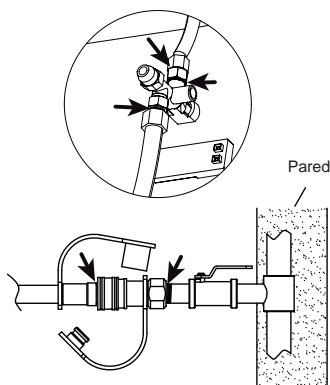
3. Pulverice la solución para fugas en las conexiones de las válvulas prestando especial atención a las zonas indicadas por las flechas.

4. Si aparecen burbujas, cierre el gas propano/butano/GLP o natural, vuelva a conectarlo y haga una nueva prueba. Si continúa viendo burbujas después de varios intentos, desconecte la fuente de propano o gas natural y comuníquese con ELEMENTI.

Si no aparecen burbujas después de un minuto, cierre la fuente, limpie la solución y continúe.



Compruebe si hay fugas en estos lugares
Para el equipo de gas propano/butano



Compruebe si hay fugas en estos lugares
Para el equipo de gas natural

INSTRUCCIONES DE ENCENDIDO

Uso del sistema de encendido

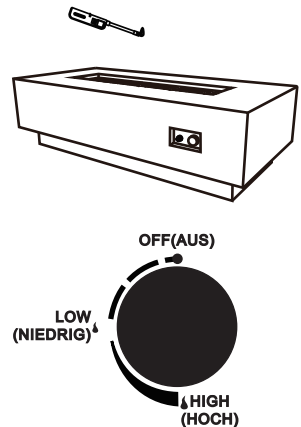
1. Lea las instrucciones antes de encender.
2. La perilla de control debe estar en la posición "OFF" (APAGADO).
3. Conecte la botella de gas o la fuente de gas natural, abra lentamente la válvula.
4. Mantenga pulsado el botón encendido para crear chispas.
5. Mientras sostiene el botón de encendido con una mano, utilice la otra para empujar y girar la perilla de control a la posición "LOW" (BAJO) para encender el quemador.
6. Si no se enciende en 5 segundos, empuje y gire la perilla de control a la posición "OFF" (APAGADO), espere 5 minutos y deje que el gas se disipe.
7. Cuando se encienda el quemador, continúe presionando el mando durante otros 20 segundos y suéltelo.
8. Observe la llama, asegúrese de que todos los conductos del quemador están encendidos.
9. Ajuste la llama al nivel deseado con la perilla de control.



Si no se sigue con exactitud el procedimiento de encendido indicado en estas instrucciones, puede producirse un incendio o una explosión ! que cause daños materiales, lesiones o la muerte. Mantenga la roca volcánica cubierta y asegúrese de que está seca antes de encenderla.

Uso de una cerilla larga o un encendedor

1. Antes de encender, utilice una pala para mover las rocas volcánicas y acceder al quemador.
2. Utilizando guantes resistentes al calor, coloque la cerilla larga o el encendedor de butano cerca del lado del quemador. NO se incline sobre la mesa mientras se enciende.
3. Gire la perilla de control en sentido contrario a las agujas del reloj hasta "LOW" (BAJO).
4. Retire la cerilla larga o el encendedor de butano.
5. Después de encender, utilice una pala y guantes resistentes al calor para devolver las rocas volcánicas a la posición adecuada.
6. Observe la llama, asegúrese de que todos los conductos del quemador están encendidos.
7. Ajuste la llama a la altura deseada con la perilla de control.



ADVERTENCIA

Si la llama del quemador se apaga durante el funcionamiento, gire inmediatamente la perilla de control a "OFF" (APAGADO) y deje que el gas se disipe un mínimo de 5 minutos antes de intentar volver a encender la mesa.



ADVERTENCIA

Cuando utilice este método para encender su mesa con fuego, utilice guantes resistentes al calor y siga las instrucciones paso a paso. Si no lo hace, podría sufrir lesiones graves.

APAGADO

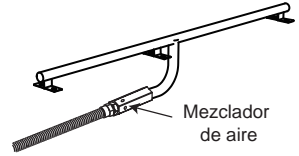
1. Empurre e gire o botão de controle no sentido horário para a posição "OFF"(DESLIGADO).
2. Feche a válvula na garrafa de gás ou fonte de gás natural.

MANTENIMIENTO Y LIMPIEZA

Inspección

Esta mesa con fuego para exteriores debe ser inspeccionada regularmente para asegurar que es segura de usar y para prolongar su vida útil.

- Compruebe el quemador para asegurarse de que está bien colocado.
- Compruebe la válvula mezcladora de aire para asegurarse de que está limpia y libre de insectos, nidos de araña y otros residuos (ver imagen).
- Compruebe todas las conexiones de gas para ver si hay fugas.
- Compruebe el sistema de encendido para asegurarse que funciona correctamente.
- Compruebe los componentes para ver si hay signos de daños, óxido o desgaste excesivo.
- Si se detectan daños en algún componente, NO lo ponga en funcionamiento hasta que se hayan hecho las reparaciones pertinentes.



ADVERTENCIA

NO revise el fogonero hasta que el fuego esté completamente apagado.



ADVERTENCIA

NO modifique este equipo. Esto es PELIGROSO y anulará la garantía. Cualquier pieza que se encuentre defectuosa debe ser reemplazada por una pieza verificada, aprobada por el fabricante. Para recibir asistencia técnica, póngase en contacto con ELEMENTI.

Cuidado y limpieza general

Acero inoxidable

- Para la limpieza general utilice agua tibia, jabón, amoníaco o detergente y aplíquelo con un paño suave o una esponja.
- Para huellas dactilares o manchas persistentes, utilice un abrillantador o un limpiador y pulidor de acero inoxidable, aplicándolo con un paño suave en la misma dirección de las líneas de pulido.
- Si se utiliza en ambientes con aire salado, se recomienda limpiar todas las superficies de acero inoxidable al menos cada dos semanas para mantener el producto en óptimas condiciones. El acero inoxidable es resistente a la corrosión, pero no es insensible al óxido. La exposición al aire salado y al agua del mar provocará la oxidación de la superficie si no cuida adecuadamente el producto.
- Lo mejor que puede hacer para proteger el acero inoxidable es limpiarlo con frecuencia.

Superficie de la mesa con fuego

Lea a continuación las recomendaciones sobre el mantenimiento de la superficie del equipo para un uso prolongado:

- Limpie inmediatamente cualquier derrame para evitar que la superficie se manche o el fogonero se dañe.
- Seque cualquier derrame de líquido con un paño limpio y seco para evitar que el derrame se extienda al resto del equipo.
- La limpieza inmediata de las manchas y el secado de los derrames también evitan la absorción de dichas manchas y derrames en las superficies, contrario a lo que sucedería si dichas manchas y derrames se dejaran durante mucho tiempo sobre éstas.

Cómo aplicar un sellador a base de agua:

1. Este fogonero para exteriores debe ser mantenida regularmente (por lo general de 3 a 6 meses) para garantizar un uso seguro y prolongar su vida útil.
2. Por favor, asegúrese de que todo el tratamiento se realice en ausencia de polvo. Pase el sellador sobre la superficie de hormigón con un trapo suave, y luego limpie los residuos una vez que esta superficie se haya secado por completo.

MANTENIMIENTO Y LIMPIEZA

Cómo limpiar la superficie de su mesa con fuego:

1. Mezcle un jabón lavavajillas con agua limpia y tibia, y utilice un paño suave o una esponja.
2. Luego proceda a eliminar la suciedad de la superficie, las manchas o los derrames leves.
3. Quite toda la solución jabonosa de las superficies con un paño húmedo.
4. Seque completamente con un paño seco para evitar manchas o marcas de agua.
5. Limpiar regularmente la superficie del fogonero ayudará a que el producto sea más duradero.

Advertencia

- NO utilice productos de limpieza abrasivos o a base de petróleo.
- NO utilice cepillos duros o esponjas ásperas cuando limpie la(s) superficie(s) del fogonero.
- NO deslice productos por la superficie del fogonero para evitar que se produzcan rayones y/o daños permanentes.
- NO coloque ningún alimento sobre la superficie del fogonero.
- NO coma sobre la superficie del fogonero.
- La superficie debe estar cubierta en todo momento cuando no esté en uso.
- Cubra el producto cuando no lo utilice para protegerlo de la intemperie.
- Guarde el producto en un lugar cerrado durante los meses de invierno.
- Evite las temperaturas extremadamente frías, ya que éstas pueden provocar el agrietamiento de la superficie del fogonero.

ALMACENAMIENTO

- Gire la perilla de control a la posición "OFF" (APAGADO).
- Coloque la bombona de GLP en la posición "OFF" (APAGADO).
- Almacene el equipo en un lugar fresco y seco, lejos de los niños y las mascotas, protegido de la intemperie y el viento, y alejado de la luz solar directa.
- NO lo almacene en un lugar donde la temperatura supere los 50 °C.
- Cubra SIEMPRE su mesa con fuego para exteriores cuando no la utilice.
- Nota: Espere a que el equipo se haya enfriado antes de cubrirlo.

SOLUCIÓN DE PROBLEMAS

Problema: El quemador no se enciende

Possible causa 1: La perilla de control no está en la posición máxima (llama grande).

-Gire la perilla de control a la posición máxima (llama grande).

Possible causa 2: La válvula de la bombona de gas está cerrada / La bombona de gas está vacía.

-Abra la válvula / Cambie la bombona de gas por una nueva.

Possible causa 3: Obstrucción en el orificio (inyector).

-Limpie o sustituya el orificio (inyector).

Possible causa 4: Aire en el circuito de gas.

-Abra la línea de gas y purgue (presionando la perilla de control hacia adentro) por no más de 1 minuto o hasta que huela a gas.

Possible causa 5: Baja presión de gas.

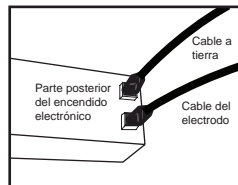
-Sustituya la bombona de GLP por una nueva.

Possible causa 6: El encendedor falla (No se oye un chasquido ni se ve una chispa en el módulo de encendido).

-Utilice una cerilla para encender el quemador.

-Cambie la batería o consiga un nuevo encendedor y sustitúyalo.

-Mire debajo de la mesa con fuego y asegúrese de que el cable del electrodo está correctamente insertado en la parte posterior del módulo de encendido electrónico. Al inspeccionar el cable del electrodo, asegúrese de que no esté cortado o dañado en ningún lugar. Si el cable tiene daños, póngase en contacto con su distribuidor.



Problema: El quemador no permanece encendido

Possible causa 1: Acumulación de suciedad alrededor del quemador.

-Limpie la suciedad alrededor del quemador.

Possible causa 2: Llamas bajas o que no prenden del todo alrededor del quemador.

-Los orificios de propagación de la llama están parcialmente cerrados; limpie el quemador.

Possible causa 3: El termopar/electrodo no funciona correctamente.

-Termopar: La punta del termopar debe estar situada cerca del quemador, alineada con un puerto de quemado para que las llamas entren en contacto con él directamente. Asegúrese de que las llamas hacen contacto con la punta del termopar.

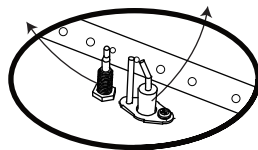
-Electrodo: El electrodo es donde se genera la chispa para encender su mesa con fuego. Asegúrese de que puede ver esta chispa cuando pulsa el botón de encendido.

Possible causa 4: Termopar dañado

-Si la carcasa del encendedor y la punta del termopar están libres de residuos y la llama está claramente en contacto con la punta del termopar pero la mesa de fuego sigue sin permanecer encendida, el termopar puede estar dañado. Mire debajo de la mesa y busque el cable de cobre del termopar que sale de la parte posterior de la válvula. Examine a lo largo del mismo para detectar cualquier señal de daño. Los dobleces, torceduras o daños pueden hacer que el termopar no funcione correctamente. Si encuentra daños en el termopar, póngase en contacto con su distribuidor para que lo sustituya.

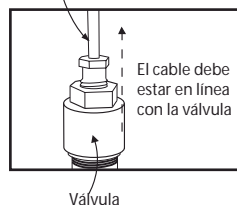
Termopar:
asegúrese de que la llama
está en contacto con éste.

Electrodo:
debe ver una chispa al
pulsar el botón de
encendido.



Carcasa del encendedor desmontada para su visibilidad

Cable del termopar



SOLUCIÓN DE PROBLEMAS

Posible causa 5: Vientos fuertes

-Su mesa con fuego está diseñada para funcionar con vientos de hasta 3 m/s. Los vientos fuertes pueden hacer que la llama se apague. No utilice la mesa en condiciones de vientos fuertes.

Problema: La llama del quemador está baja.

Nota: No haga funcionar el artefacto por debajo de los 5°C.

Posible causa 1: La temperatura exterior es superior a 5°C y la bombona de gas tiene menos del 25% de su capacidad.

-Sustituya la bombona de gas por una nueva.

Posible causa 2: El tubo de gas está doblado o torcido.

-Enderece la manguera y realice una prueba de fugas en el tubo de gas.

Otro problema

Acumulación de carbono

Posible causa: Suciedad o restos en el quemador.

-Limpiar el quemador.

Destello negro (llama en el interior del quemador)

Posible causa: Los puertos del quemador están bloqueados.

-Apague el artefacto. Cierre la válvula de la bombona de GLP. Espere 2 minutos y siga el procedimiento de encendido. Encienda el quemador. Si el problema continúa, apáguelo. Póngase en contacto con su distribuidor.

Humo negro espeso

Posible causa: Obstrucción en el quemador.

-Gire la perilla de control a la posición "OFF", deje que el aparato se enfríe a temperatura ambiente, elimine la obstrucción y limpie el quemador por dentro y por fuera.

Garantía

Ocean Rock EU GmbH, con el nombre de Elementi, garantiza que los elementos de fuego y accesorios de Elementi están libres de defectos en las piezas y en la mano de obra, en condiciones normales de uso y servicio durante el período de 1 año a partir de la fecha de compra. En caso de tales defectos, Elementi, a su elección, reparará o sustituirá el producto defectuoso. Lo anterior queda a criterio de Elementi.

La sustitución de las piezas o del producto será gratuita, sin embargo, será responsabilidad del consumidor devolver el producto al lugar donde lo compró originalmente.

Elementi no será responsable de los daños consecuentes que superen el precio de compra del producto en el que se basa dicha responsabilidad y la garantía no cubre los costes de transporte, retiro y reinstalación.

Esta garantía es intransferible y se aplica únicamente a los equipos de uso personal no comercial.

Según este acuerdo de garantía, todas las líneas de gas deben ser instaladas por un técnico de gas autorizado.

Los daños causados por el transporte, las manchas y el mal uso, no están cubiertos por esta garantía. Los golpes, abolladuras y rayones, la decoloración y el desgaste natural no están cubiertos por esta garantía.

La roca decorativa no está cubierta por esta garantía. Las instalaciones, reparaciones o modificaciones inadecuadas realizadas por cualquier persona que no forme parte de Elementi anularán esta garantía y cualquier daño causado por ellas tampoco estará cubierto por la misma.

Los pequeños desprendimientos, la decoloración, las manchas de agua y las grietas no estructurales son típicas del material de este producto y no están cubiertas por esta garantía. Algunas variaciones de color y textura son típicas del material y del acabado de este producto y no están cubiertas por esta garantía.

El hormigón colado forma parte de un proceso de terminación manual. Como tal, la terminación de este producto puede variar en cada equipo. Habrá una variación de color de hasta el 15% en cada producto También puede haber una textura o un patrón desigual, así como pequeños agujeros en la superficie causados por el aire o el agua atrapados en la superficie durante el colado. Este es un rasgo normal del hormigón colado y no está cubierto por la garantía.

Português



IMPORTANTE

GUARDE ESTAS INSTRUÇÕES



ATENÇÃO

Apenas para utilização no exterior.
NÃO utilize para cozinhar.
NÃO utilize debaixo de qualquer armário suspenso.



ATENÇÃO

- Se as informações contidas neste manual não forem seguidas exatamente, um incêndio ou explosão poderá resultar em danos materiais pessoais ou perda de vida.
- A instalação e a assistência devem ser efetuadas por um instalador qualificado, uma agência de assistência ou um fornecedor de gás. A instalação, ajuste, alteração, conserto ou manutenção inadequados podem causar ferimentos ou danos materiais.
- Leia atentamente as instruções de instalação, operação e manutenção antes de instalar ou efetuar a manutenção deste equipamento.
- Guarde estas instruções para referência futura. Se estiver montando esta unidade para outra pessoa, dê-lhe este manual para ler e guarde as instruções para referência futura.



PERIGO

Se sentir cheiro de gás:

- Desligue o gás do aparelho.
- Apague qualquer chama aberta.
- Se o odor persistir, mantenha-se afastado do aparelho e contacte imediatamente o fornecedor de gás ou o departamento de bombeiros.



ATENÇÃO

- Não armazene nem utilize gasolina ou outros vapores e líquidos inflamáveis nas proximidades deste ou de qualquer outro aparelho.
- Um cilindro LP não ligado para utilização não deve ser guardado nas proximidades deste ou de qualquer outro aparelho.

Este aparelho foi concebido e fabricado em conformidade com a norma EN14543:2017 (BS EN 14543: 2017 para UKCA) e para demonstrar a conformidade com os requisitos essenciais do regulamento relativo a aparelhos a gás (EU) 2016/426.

Nunca use tipos diferentes e sempre de acordo com as Regras Nacionais em vigor no país de destino. Estes componentes devem ser substituídos periodicamente, de acordo com a data indicada no corpo de cada um deles, ou de acordo com as Regras Nacionais em vigor no país de destino.

AVISOS DE SEGURANÇA PARA FOGUEIRA DE GÁS

- Uma área ventilada e ampla deve ter, no mínimo, 25% da superfície aberta.
- A superfície é a soma da superfície das paredes.
- Não obstrua os orifícios de ventilação do alojamento do cilindro.
- Este aparelho deve ser utilizado e o cilindro de gás deve ser armazenado de acordo com os regulamentos em vigor.
- **ATENÇÃO: ESTE APARELHO TEM UMA CHAMA ABERTA, DEVE SER UTILIZADA UMA PROTEÇÃO ADEQUADA PARA PROTEGER CRIANÇAS PEQUENAS, IDOSOS E ENFERMOS.**
"O aparelho deve ser instalado de acordo com as instruções e as Regras Nacionais em vigor no país de destino."
- Leia cuidadosamente as instruções antes de utilizar este aparelho - nunca utilize este aparelho em espaços fechados, veículos ou barcos.
- Se as instruções deste manual não forem seguidas exatamente, pode surgir uma situação perigosa; certifique-se de que todas as peças estão no devido lugar.
- Quaisquer modificações do aparelho podem ser perigosas; a instalação, ajuste, alteração, assistência ou manutenção inadequados podem causar ferimentos ou danos materiais.
- A instalação e reparação devem ser realizadas por um Serviço Qualificado, Agência ou Fornecedor de Gás; nunca o faça sozinho!
- Nunca utilize este aparelho até que todas as ligações tenham sido testadas quanto a vazamentos. Nunca o coloque em funcionamento se for detectado algum vazamento; verifique sempre o vazamento usando espuma de sabão (nunca utilizando uma chama). Em caso de vazamento de gás, o aparelho não deve ser utilizado. Corte o fornecimento de gás e o aparelho deve ser investigado e retificado por um serviço qualificado, agência ou fornecedor de gás antes de ser novamente utilizado.
- O aparelho deve estar sempre em funcionamento e nunca tente desligar o regulador de gás ou os acessórios de gás.
- Este é apenas um aparelho decorativo e qualquer tipo de cozimento é estritamente proibido. Nunca utilize carvão ou qualquer outro combustível sólido, apenas pedras de lava fornecidas com o aparelho.
- Não queime lixo e outros materiais neste aparelho; não verta água para dentro do aparelho.
- Não armazene nem utilize gasolina ou outros vapores e líquidos inflamáveis nas proximidades deste ou de qualquer outro aparelho.
- Utilize apenas o tipo de gás (consulte o ajuste na seção "Especificações" e também a marcação do aparelho no aparelho) especificada pelo fabricante.
- Use somente botijão de gás especificado pelo fabricante.
- Feche a válvula da botija de gás ou o regulador de gás antes de deslocar o aparelho.
- Não mova o aparelho durante o uso. Uma vez que tenha sido colocado na posição "OFF", a temperatura de espera esfriou (pelo menos 30 minutos).

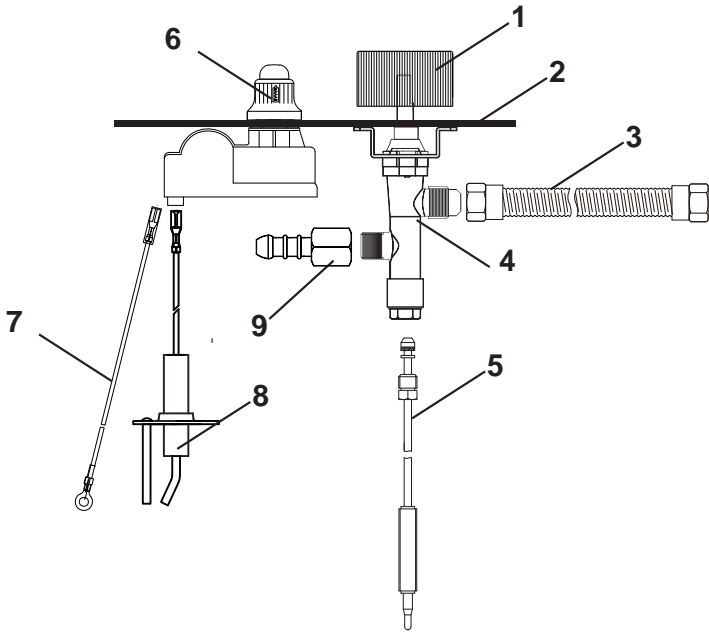
AVISOS DE SEGURANÇA PARA FOGUEIRA DE GÁS

- Utilize sempre o aparelho numa superfície horizontal e não combustível para mantê-lo estável.
- Verifique se a junta do regulador de gás está corretamente montada e funcionando corretamente.
- Desligue o fornecimento de gás no cilindro de gás após o uso.
- O tubo flexível de metal ou borracha, utilizado para conectar o aparelho com o botijão de gás, deve ser trocado dentro dos intervalos prescritos e de acordo com as Normas Nacionais em vigor (consulte o prazo de validade no tubo flexível de metal ou borracha).
- Verifique o tubo flexível de metal ou borracha usado pelo menos uma vez por mês e durante a troca do botijão de gás; se apresentar sinais de rachadura, rachadura ou deterioração, deve ser trocado por um novo de mesmo comprimento e qualidade equivalente.
- O aparelho deve ser inspecionado antes de ser utilizado e pelo menos uma vez por ano (consulte "Manutenção")
- uma temperatura inferior a 5% causará um fluxo de gás restrito e o aparelho não funcionará corretamente.
- Não coloque fogo ou lixo. Após a utilização, manuseie-o como reciclável perigoso.
- Tire bateria quando o aparelho não for usado por um longo período de tempo.
- Atenção: As peças acessíveis podem estar muito quentes. Mantenha for do alcance de crianças.
- As pessoas devem ser avisadas sobre os riscos de altas temperaturas na superfície e devem permanecer afastadas para evitar queimaduras ou combustão.
- Se o incêndio se apagar, gire o suprimento de gás para a posição "OFF" e aguarde 2 minutos antes de tentar acender novamente.
- As crianças devem ser cuidadosamente supervisionadas quando estiverem na área do aparelho; nunca deixe-as utilizar este aparelho.
- Não pendure roupas ou outros materiais inflamáveis no aparelho ou coloque-os perto dele.
- As distâncias mínimas a serem respeitadas de materiais combustíveis não protegidos são de pelo menos 1,2m
- Este aparelho deve ser mantido longe de materiais inflamáveis.
- Não coloque qualquer outra cobertura para lareira ou qualquer objeto inflamável sobre, abaixo ou ao lado do aparelho.
- Não descanse os pés no aparelho enquanto estiver em operação.
- Mantenha qualquer cabo de alimentação elétrica e tubo de borracha afastados de qualquer superfície aquecida.
- As peças seladas por Fabricação ou pelo seu agente não podem ser alteradas pelo utilizador.

ATENÇÃO: ESTE APARELHO TEM UMA CHAMA ABERTA, DEVE SER UTILIZADA UMA PROTEÇÃO ADEQUADA PARA PROTEGER CRIANÇAS PEQUENAS, IDOSOS E ENFERMOS.

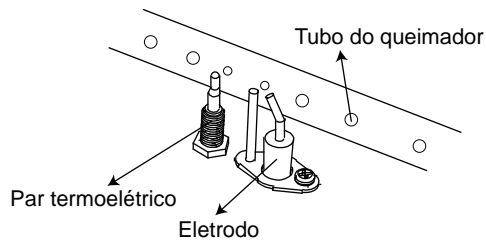
VISTA EXPANDIDA

Ligação da peça de controle



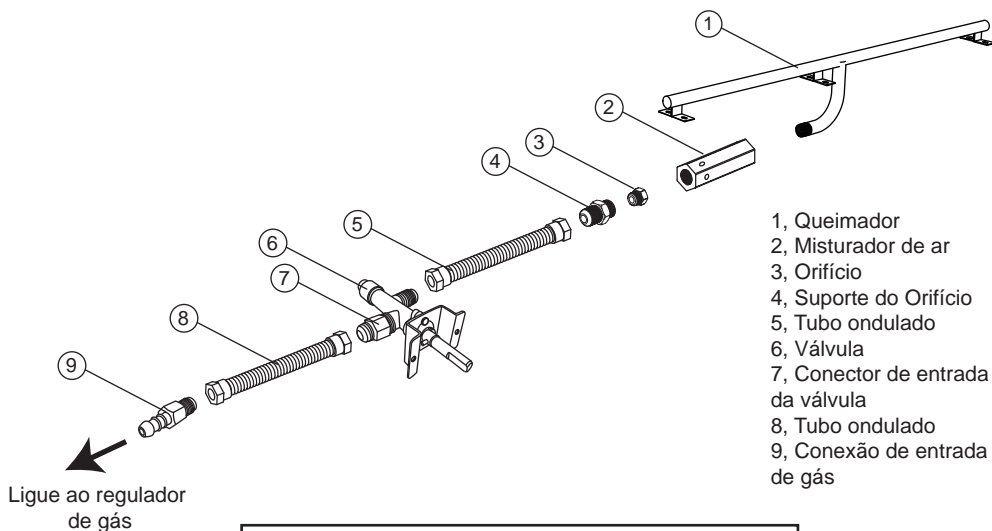
1. Botão
2. Painel de Controle
3. Tubo ondulado
4. Válvula
5. Par termoeletrico
6. Dispositivo de ignição
7. Fio terra
8. Eletrodo
9. Conector de entrada da válvula

Ligação da peça de controle

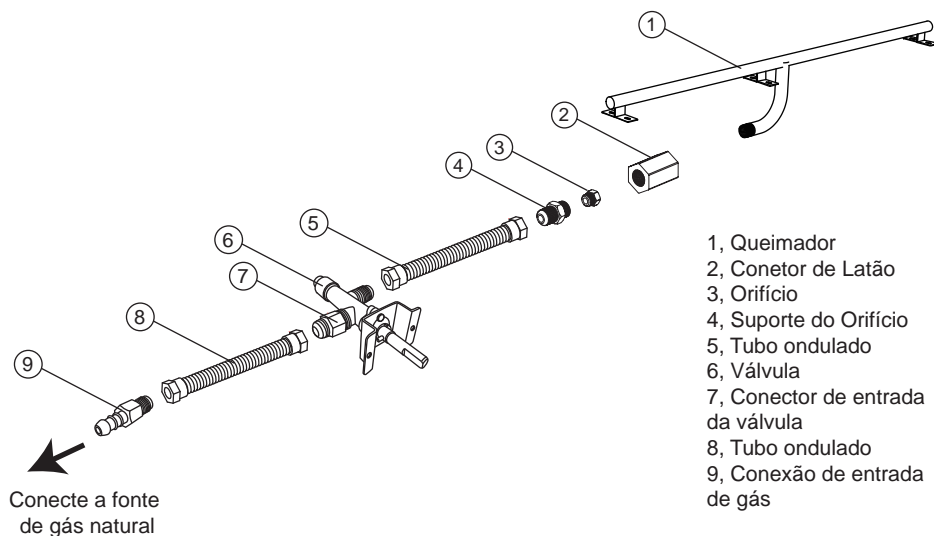


VISTA EXPANDIDA

Propano/Butano/Ligação GPL



Ligação de gás natural



INSTALAÇÃO

Se estiver ligando a uma instalação de gás fixa, um técnico de gás autorizado deve ligar o fornecimento de gás.

Se utilizar um frasco padrão de propano, este pode ser ligado pela pessoa que instala o aparelho.

É como ligar a uma churrasqueira a gás. Se você tiver a entrega de gás através de tubos subterrâneos, deve obter ajuda de um técnico de gás.

DESIGN

Selecione uma Localização Adequada

As fogueira a gás devem estar localizadas a uma distância segura de sua casa, ou qualquer estrutura combustível, como um galpão, cerca de madeira etc. Nunca instale uma fogueira a gás perto de uma fonte de energia ou vela de energia suspensa. Além disso, antes de decidir sobre o local de instalação, certifique-se de que não existem cabos elétricos ou outros serviços sob o solo.

Geralmente, recomenda-se uma distância de, pelo menos, 3 metros das estruturas próximas. Não instale sob nenhuma forma de cobertura do telhado, nem perto de árvores suspensas etc. Nunca use uma fogueira a gás dentro de sua casa.

As fogueiras destinam-se APENAS a ambientes exteriores.

Além da questão de segurança, também é preciso considerar a estética e o uso funcional de sua fogueira. Ela tem de se "encaixar" e se "destacar", uma vez que se tornará rapidamente o ponto focal principal do seu jardim. As fogueiras a gás são normalmente instaladas em alguma forma de concreto ou estrutura de tijolos, para combinar com a área do pátio ao redor. Você também precisará de um espaço para sentar em torno de sua fogueira. Pode ser uma estrutura permanente, como parte de sua decoração, ou simplesmente a mobília já existente em seu pátio. Se utilizar assentos permanentes, deve considerar a distância ideal entre o assento e a fogueira, para manter-se seguro, bem como para se manter quente. Uma distância típica do centro da fogueira até a borda do assento seria de cerca de 1,3 metros.

Ventilação

Planeje para permitir uma ventilação adequada. Saídas de ar colocadas em lados opostos SÃO NECESSÁRIAS para evitar que o gás não queimado se amontoe e cause uma explosão. O propano/butano é mais pesado do que o ar, portanto, as saídas de ar devem ser colocadas mais próximas do fundo para permitir que qualquer gás não queimado escape. O gás natural é mais leve do que o ar, portanto, as saídas de ar devem ser colocadas mais perto do topo.

CONSTRUÇÃO

O que você constrói dependerá do tipo, do tamanho e da forma de seu poço do fogo e do projeto de seu jardim. Não podemos abranger todos os designs e opções concebíveis, mas incluímos algumas ideias de instalação "genéricas" e sugestões.

ATENÇÃO: Todas as fogueiras necessitarão de orifícios de ventilação em sua base. Não bloqueie as aberturas de ventilação na parte inferior da mesa de fogo. Essas saídas de ar devem ser posicionadas ao nível do solo.

Existem QUATRO motivos muito bons para utilizá-las.

1. Elas permitem que a água da chuva escape de dentro da fogueira para a área do pátio. Sem elas, sua fogueira encheria rapidamente com água, que poderia causar danos a seu queimador e invalidaria a garantia.
2. Permitem a entrada de ar, o que pode causar danos na fogueira e invalidar a garantia.
3. Elas permitem que a entrada de ar sob o queimador da fogueira. Isto ajuda a combustão e produz chamas maiores.
4. A área sob a fogueira pode ficar extremamente quente. As saídas de ar permitem que este excesso de calor se dissipe.

O gás propano/butano/GPL é mais pesado do que o ar, e qualquer gás não queimado irá se acumular dentro da base de sua fogueira. Sem orifícios de ventilação para permitir a saída deste gás, o gás acumula-se gradualmente, até atingir uma fonte de ignição, quando irá explodir com grande força. Isto pode causar ferimentos graves.

Localização

Se colocar sua fogueira na grama, marque uma área com o mesmo tamanho que a fogueira e retire toda a grama, terra e raízes. Remova 5 cm de terra dentro da mesma área. Certifique-se de nivelar o solo onde sua fogueira será construída e adicionar entre 2.5-5cm da base do pavimentador. Embale a base do pavimentador e use um nível durante todo o processo.

INSTALAÇÃO DE GPL

Colocar a pedra de lava

- Coloca pedra de lava com a mão. **NÃO DESPEJE** o saco na bandeja para evitar obstruir o queimador com pó.
- Posicione a pedra de lava para um nível cerca de 1-2 cm acima do topo do queimador. Certifique-se de não bloquear a caixa do dispositivo de ignição com a pedra de lava para garantir uma ignição adequada.



CORRETO



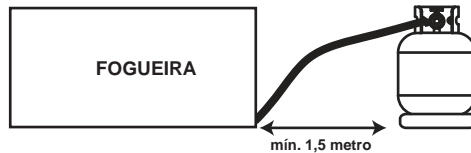
INCORRETO

NOTA: Quando quiser mover ou limpar as pedras de lava, certifique-se sempre de que esfriaram completamente.

INSTALAÇÃO

Colocando o frasco

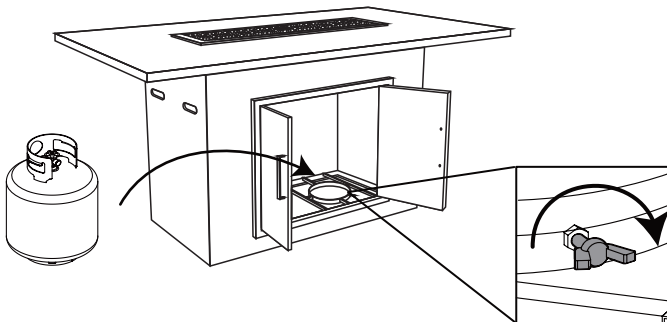
- Certifique-se de que o frasco de gás se mantém estável numa superfície não inflamável.
- Coloque o frasco de gás a uma distância mínima de 1,5 metro do queimador embutido./ Tenha cuidado ao colocar a mangueira de gás, pessoas e animais de estimação podem tropeçar nela. Coloque o frasco sempre num local onde não seja possível caminhar e onde as crianças e os animais de estimação não possam chegar.
- A mangueira de gás GLP deve ser verificada anualmente para garantir que esteja em boas condições.
- Quando o aparelho não for utilizado durante longos períodos de tempo, a mangueira deve ser desligada do aparelho e o regulador deve ser desligado do cilindro. O conjunto deve então ser armazenado de acordo com as práticas recomendadas.



Ligue o recipiente de gás à unidade

O regulador de gás varia conforme o país. Utilize um regulador de gás que esteja em conformidade com os regulamentos locais.

1. Ligue a mangueira ao bocal de entrada do coletor e aperte a braçadeira da mangueira. Certifique-se de que todas as roscas e superfícies de ligação não apresentam danos, estão limpas e sem sujeira. Ao instalar a mangueira, certifique-se de que não está torcida, enroscada ou dobrada. Não permita que a mangueira toque em qualquer superfície quente ou arestas afiadas.
2. Fixe o regulador ao cilindro de gás. Consulte as instruções fornecidas com o regulador para obter mais informações sobre a montagem.
3. Teste para verificar vazamentos de gás. Teste para verificar vazamentos sempre que o cilindro for instalado, quer tenha sido enchido ou não. Lembre-se de desligar a válvula do cilindro antes de remover a mangueira.
4. Certifique-se de que protege a mangueira de quaisquer superfícies quentes. Pode ocorrer perigo grave se a mangueira entrar em contato com qualquer superfície quente.
5. Se o recipiente de gás estiver oculto dentro da mesa de incêndio. Coloque o recipiente de gás no suporte metálico no interior do corpo e certifique-se de que ele fique completamente assentado no suporte metálico. Rode o parafuso borboleta na parte exterior do suporte metálico no sentido horário para fixar bem o recipiente de gás.



⚠ ATENÇÃO

- Somente um recipiente de gás pode ser colocado no interior.
- Não armazene outro recipiente de gás no interior.

INSTALAÇÃO

Conecte o fornecimento de gás natural à unidade

1. Ligue a mangueira ao conector de entrada do coletor com um conector NG padrão nacional e fixe a mangueira ao conector de entrada do coletor.

Certifique-se de que todos os fios e superfícies de ligação não apresentam danos, estão limpos e sem sujeira. Ao instalar a mangueira, certifique-se de que não está torcida, enroscada ou dobrada. Proteja a mangueira de quaisquer extremidades afiadas.

2. Conecte uma extremidade da mangueira à válvula de corte principal do gás da rede urbana.

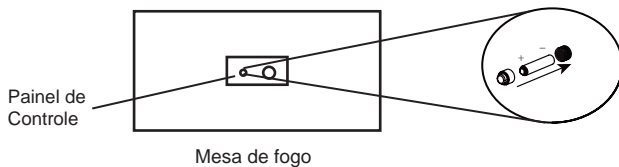
3. Faça um teste de fugas sempre que voltar a conectar a ligação de gás. Se a mangueira apresentar deterioração ou danos, teste toda a superfície exterior. Lembre-se de desligar a válvula do cilindro antes de remover a mangueira.

⚠ ATENÇÃO

- A instalação e a assistência devem ser efetuadas por um instalador qualificado, uma agência de assistência ou um fornecedor de gás.
- A instalação, ajuste, alteração, conserto ou manutenção inadequados podem causar ferimentos ou danos materiais.

Colocar a bateria

Certifique-se de que o sistema de fornecimento de gás está desligado. Instale a pilha AAA conforme ilustrado no diagrama abaixo.



TESTE DE VAZAMENTOS

⚠️ ATENÇÃO

Antes de utilizar esta mesa de fogo, certifique-se de que leu, compreendeu e está seguindo todas as informações fornecidas na seção Informações Importantes de Segurança deste manual. O não cumprimento destas instruções pode causar morte, ferimentos graves ou danos materiais.

- Antes de cada operação com lareira a gás, verifique a mangueira e a válvula quanto a indícios de desgaste excessivo ou abrasão através do orifício de verificação visual na lateral da base. Substitua a tampa de verificação visual antes de operar a lareira.

Ligações do queimador

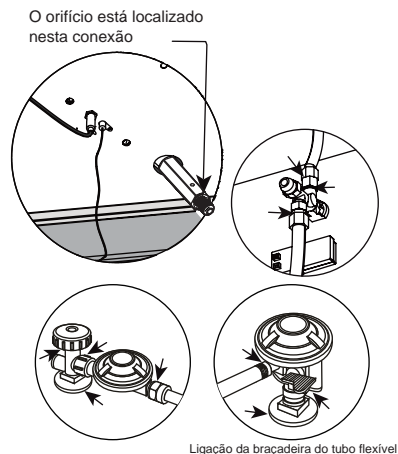
Certifique-se de que a válvula reguladora e as ligações da mangueira estão bem fixas ao queimador e ao recipiente. Se a sua unidade tiver sido montada para você, verifique visualmente a ligação entre o tubo do queimador e o orifício.

Certifique-se de que o tubo do queimador encaixe no orifício.

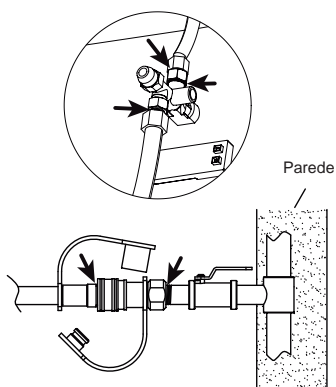
Verificar se existem vazamentos

1. Faça uma solução de verificação de fugas misturando 1 parte de detergente de louça com 3 partes de água numa garrafa de spray.
2. Certifique-se de que o botão de controle esteja na posição "OFF" (DESLIGADO). Então, acenda o propano/butano/GLP ou gás natural em sua fonte.
3. Pulverize a solução de vazamento nas ligações das válvulas, prestando especial atenção às áreas indicadas pelas setas.
4. Se aparecerem bolhas, desligue o propano/butano/GLP ou o gás natural, volte a ligar e teste novamente. Se continuar a ver bolhas após várias tentativas, desligue a fonte de propano ou gás natural e contacte a ELEMENTI.

Se não aparecerem bolhas após um minuto, desligue a fonte, limpe a solução e prossiga.



Verifique se existem vazamentos nestes locais
Para Unidade Propano/Butano



Verifique se existem vazamentos nestes locais
Para unidades de gás natural

INSTRUÇÕES DE IGNIÇÃO

Uso del sistema de encendido

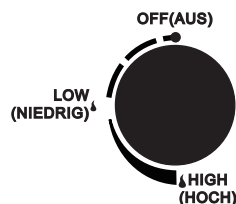
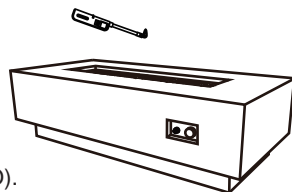
1. Lea las instrucciones antes de encender.
2. La perilla de control debe estar en la posición "OFF" (APAGADO).
3. Conecte a garrafa de gás ou fonte de gás natural, abra lentamente a válvula.
4. Mantenga pulsado el botón encendido para crear chispas.
5. Mientras sostiene el botón de encendido con una mano, utilice la otra para empujar y girar la perilla de control a la posición "LOW" (BAJO) para encender el quemador.
6. Si no se enciende en 5 segundos, empuje y gire la perilla de control a la posición "OFF" (APAGADO), espere 5 minutos y deje que el gas se disipe.
7. Cuando se encienda el quemador, continúe presionando el mando durante otros 20 segundos y suéltelo.
8. Observe la llama, asegúrese de que todos los conductos del quemador están encendidos.
9. Ajuste la llama al nivel deseado con la perilla de control.



Se o procedimento de iluminação nestas instruções não for seguido exatamente, pode ocorrer um incêndio ou explosão, ! causando danos patrimoniais, ferimentos ou perda de vida. Mantenha a pedra de lava coberta e certifique-se de que está seca antes de inflamar.

Usando um fósforo longo ou isqueiro

1. Antes de acender, use uma pá para mover pedras de lava para acessar o queimador.
2. Utilizando luvas resistentes ao calor, posicione o isqueiro ou acendedor de butano próximo à parte lateral do queimador. **NÃO** se incline sobre a mesa de fogo durante o processo de acender!
3. Gire o botão de controle no sentido anti-horário para "LOW" (BAIXO).
4. Retire o fósforo longo/acendedor de butano.
5. Após acender, utilize uma pá e luvas resistentes ao calor para mover cuidadosamente as pedras de lava de volta à sua posição correta.
6. Observe a chama, certifique-se de que todas as bocas do forno estejam acesas.
7. Ajuste a chama para a altura desejada com o botão de controle.



ATENÇÃO

Se a chama do queimador se apagar durante a operação, gire imediatamente o botão de controle "OFF" (DESLIGADO) e deixe o gás se dissipar por um mínimo de 5 minutos antes de tentar reacender a mesa de fogo.



ATENÇÃO

Ao utilizar este método para acender a mesa de fogo, utilize luvas resistentes ao calor e siga as instruções passo a passo. Se não o fizer, pode resultar em ferimentos graves.

DESLIGAR

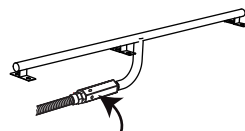
1. Empurre e gire o botão de controle no sentido horário para a posição "OFF" (DESLIGADO).
2. Gire a válvula do cilindro no tanque de gás para fechar.

MANUTENÇÃO E LIMPEZA

Inspecionando

Essa mesa de fogo externa deve ser inspecionada regularmente para garantir que o produto seja seguro para ser usado e prolongar a vida útil do produto.

- Verifique o queimador para se certificar de que está bem colocado.
- Verifique o misturador de ar para se certificar de que está desobstruído e livre de insetos, ninhos de aranha e outros detritos (ver imagem).
- Verifique se existem vazamentos em todas as ligações de gás.
- Verifique o sistema de ignição para garantir que as faíscas saiam corretamente.
- Verifique se existem sinais de danos, ferrugem ou desgaste excessivo nos componentes.
- Se forem detectados danos em qualquer componente, NÃO opere até que tenham sido efetuadas as reparações adequadas.



Misturador de ar



ATENÇÃO

NÃO inspecione esta lareira ao ar livre até que o fogo esteja COMPLETAMENTE para fora.



ATENÇÃO

NÃO adultere este aparelho. Isto É PERIGOSO e anulará a garantia. Qualquer peça com defeito deve ser substituída por uma peça aprovada, confirmada pelo fabricante. Para obter assistência técnica, contacte ELEMENTI.

Cuidados gerais e limpeza

Aço Inoxidável

- Para uma limpeza geral, utilize água quente, sabão, amoníaco ou detergente e aplique um pano macio ou uma esponja
- Para impressões digitais ou manchas difíceis, utilize um produto de limpeza de aço inoxidável e produtos de polimento ou de aço inoxidável, aplique utilizando um pano macio na mesma direção das linhas de polimento.
- Durante a utilização em ambientes com ar salgado, recomendamos a limpeza de todas as superfícies de aço inoxidável, pelo menos, a cada duas semanas, para manter o item em boas condições. O aço inoxidável é resistente à corrosão, mas não é impermeável à ferrugem. A exposição ao ar salgado e ao para o mar irá causar ferrugem superficial se não cuidar seus produtos corretamente.
- A melhor coisa que se pode fazer para proteger o aço inoxidável é limpá-lo frequentemente.

Superfície da mesa de fogo

Consulte abaixo as recomendações sobre a manutenção da superfície da lareira para anos de uso prolongado:

- Limpe imediatamente quaisquer derramamentos para evitar a coloração permanente da(s) superfície(s) ou danos na sua lareira.
- Limpe qualquer líquido derramado com um pano limpo e seco para evitar espalhar o derramamento para o resto da lareira.
- A limpeza imediata de manchas de derramamentos também evita a absorção de tais manchas/derramamentos nas superfícies, em comparação com o caso de tais manchas/derramamentos serem deixados durante períodos de exposição nessas superfícies.

Como aplicar um selador à base de água:

- 1.Essa lareira externa deve ser mantida regularmente (normalmente de 3 a 6 meses) para garantir o uso seguro e prolongar a vida útil do produto.
- 2.Certifique-se de fazer a limpeza com panos livres de poeira. Limpe ligeiramente os vedantes na superfície de concreto com panos macios e, em seguida, limpe o resíduo após a secagem completa da superfície de concreto.

MANUTENÇÃO E LIMPEZA

Como limpar a superfície da mesa de fogo:

1. Misture um detergente suave para pratos com água morna e limpa, utilize um pano macio e limpo ou uma esponja.
2. Em seguida, proceda à remoção de sujeira da superfície, manchas ou derramamentos ligeiros.
3. Enxagúe toda a solução de sabão das superfícies com um pano úmido.
4. Seque completamente com um pano seco para evitar manchas de água/marcas de água.
5. A limpeza regular da superfície da lareira ajuda a obter um produto mais duradouro.

Aquecimento

- NÃO utilize produtos de limpeza à base de petróleo ou abrasivos.
- NÃO utilize escovas duras/esponjas ásperas ao limpar a(s) superfície(s) da lareira.
- NÃO faça deslizar produtos pela(s) superfície(s) da lareira para evitar riscos permanentes e/ou danos.
- NÃO coloque alimentos na(s) superfície(s) da lareira.
- NÃO coma na(s) superfície(s) da lareira.
- A superfície da lareira deve estar sempre coberta quando não estiver sendo utilizada.
- Cubra o seu produto quando não sendo utilizado para o proteger dos resíduos.
- Guarde o seu produto no interior durante os meses de inverno.
- Evite temperaturas muito baixas, uma vez que temperaturas extremamente baixas podem provocar fissuras no tampo da mesa.

ARMAZENAMENTO

- Ruotare la manopola di controllo in posizione "OFF"(DESLIGADO).
- Portare la bombola LPG in posizione "OFF"(DESLIGADO).
- Conservare l'apparecchio in un luogo fresco e asciutto, lontano da bambini e animali domestici, al riparo dalle intemperie e dal vento e non alla luce diretta del sole.
- NON conservare in un luogo in cui la temperatura superi i 50°C.
- Copri SEMPRE il tuo tavolo da fuoco esterno quando non è in uso.
- NOTA: Attendere che l'apparecchio si sia raffreddato prima di coprire.

RESOLUÇÃO DE PROBLEMAS

Problema: O queimador não acende

Causa possível 1: O botão de controle não está na posição máxima (chama grande).

- Gire o botão de controle para a posição máxima (chama grande).

Causa possível 2: A válvula do recipiente de gás está fechada/vazia.

- Abrir o recipiente/substituir o recipiente de gás por um novo.

Causa possível 3: Bloqueio no orifício (injetor).

- Limpe ou substitua o orifício (injetor).

Causa possível 4: Ar no circuito de gás.

- Abra a linha de gás e a esvazie (pressionando o botão de controle para dentro) por não mais de 1 minuto ou até sentir cheiro de gás.

Causa possível 5: Baixa pressão do gás.

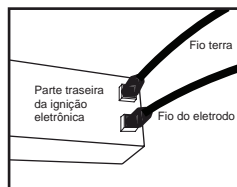
- Substituir o cilindro de GPL por um novo.

Causa possível 6: Falha no dispositivo de ignição. (Não ouvir um estalido ou ver uma faísca na caixa do dispositivo de ignição).

- Use um isqueiro para acender o queimador.

- Trocar a bateria ou obter um novo dispositivo de ignição e substituí-la.

- Procure sob a mesa de fogo e certifique-se de que o fio do eletrodo está corretamente inserido na parte posterior da caixa de ignição eletrônica. Ao inspecionar o fio do eletrodo, certifique-se de que não está cortado ou partido em nenhum lugar. Se o fio tiver sido danificado, contacte o seu concessionário.



Problema: O queimador não permanece aceso

Causa possível 1: Acumulação de sujeira à volta do queimador.

- Limpe a sujeira ao redor do queimador.

Causa possível 2: Chamas baixas ou não funcionando totalmente à volta do queimador.

- Furos do espalhador de chama parcialmente fechados; limpe o queimador.

Causa possível 3: O par termoeletrônico/eletrodo não está funcionando corretamente.

-Par termoeletrônico A ponta do par termoeletrônico deve ser localizada perto do queimador, alinhada com uma porta de queima para que as chamas entrem diretamente em contato com ele.

Certifique-se de que as chamas estão em contato com a ponta do par termoeletrônico.

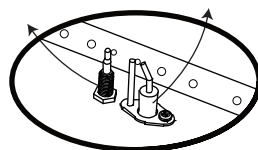
-Eletrodo O eletrodo é onde a faísca é gerada para inflamar a sua mesa de fogo. Certifique-se de que consegue ver as faíscas quando o botão do dispositivo de ignição é pressionado.

Causa possível 4: Par termoeletrônico danificado

- Se a caixa do ignitor e a ponta do par termoeletrônico estiverem livres de detritos e a chama estiver tocando claramente na ponta do par termoeletrônico, mas a mesa de fogo ainda não permanecer acesa, o par termoeletrônico pode estar danificado. Olhe abaixo da tabela e encontre o fio do par termoeletrônico de cobre saindo da parte traseira da válvula. Examine o mesmo quanto a sinais de danos. Curvas apertadas, dobras ou danos podem fazer com que o par termoeletrônico não funcione corretamente. Se encontrar danos no par termoeletrônico, contate o seu concessionário para uma substituição.

Par termoeletrônico
Certe que-se de que
a chama o esteja tocando.

Eletrodo
Você deve ver esta
faísca ao pressionar o
botão do ignitor.



Alojamento do dispositivo de ignição removido para maior visibilidade



RESOLUÇÃO DE PROBLEMAS

Causa possível 5: Ventos fortes

- Sua mesa de fogo é projetada para operar em ventos até 3 m/s. Os ventos fortes podem provocar o rebrandamento da chama. Não opere a mesa de fogo em condições de vento elevado.

Problema: A chama do queimador está baixa.

Nota: Não opere o aparelho abaixo de 5º C

Causa possível 1: A temperatura exterior é superior a 5ºC e o recipiente de gás tem menos de 25% de capacidade.

- Substituir o cilindro de GPL por um novo.

Causa possível 2: O tubo de gás está torcido ou dobrado.

- Endireite a mangueira e execute o teste de vazamento no tubo de gás.

Outro problema

Acumulação de carbono

Causa possível: Sujeira ou filme no queimador.

- Limpar o queimador.

Clarão (chama no interior do queimador)

Causa possível: As portas do queimador estão bloqueadas.

- Desligue o aparelho. Feche a válvula do cilindro de GPL. Aguarde 2 minutos, seguindo o procedimento de ignição. Inflamar o queimador. Se o problema for contínuo, desligue-o. Contate o seu concessionário.

Fumaça preta espessa

Causa possível: Bloqueio no queimador.

- Rode o botão de controle para a posição "OFF" (Desligado), deixe o aparelho esfriar à temperatura ambiente e remova o bloqueio e limpe o queimador no interior e no exterior.

Garantia

Ocean Rock EU GmbH fazendo negócios como Elementi, garante que a Elementi Fire Features e acessórios estejam livres de defeitos de peças e mão-de-obra sob uso e serviço normais por um período de 1 ano a partir da data de compra. Em caso de tais defeitos, a Elementi reparará ou substituirá, à sua escolha, o produto defeituoso. O que precede fica a critério da Elementi.

Não haverá nenhum custo para as peças ou o produto de substituição, no entanto, será da responsabilidade do consumidor devolver o produto ao local de compra original.

A Elementi não será responsável por danos consequentes que excedam o preço de compra do produto em que se baseia essa responsabilidade e a garantia não cobre custos, incluindo frete, remoção e reinstalação.

Esta garantia não é transferível e aplica-se apenas a unidades que se destinam apenas a utilização pessoal, não comercial.

Sob este contrato de garantia, todas as linhas de gás devem ser instaladas por um instalador de gás licenciado.

Os danos causados pelo envio, manchas e abuso não são abrangidos por esta garantia. As marcas, amassados e riscos, desbotamento e erosões naturais não são abrangidas por esta garantia.

A pedra decorativa não está abrangida por esta garantia. Instalações, reparações ou modificações inadequadas efetuadas por qualquer pessoa que não da Elementi anularão esta garantia e quaisquer danos causados por tais danos também não são abrangidos por esta garantia.

Pequenas lascas, desbotamentos causados pelo clima, manchas de água e fissuras não estruturais são típicas do material deste produto e não são abrangidas por esta garantia. Algumas variações de cor e textura são típicas do material e do acabamento deste produto e não são abrangidas por esta garantia.

Concreto fundido é um processo de acabamento manual. Como tal, o acabamento deste produto varia consoante a unidade. Haverá uma variação de cor de até 15% em cada unidade. Também pode haver textura ou padrão irregulares, bem como pequenos orifícios na superfície causados por ar ou água retida na superfície durante a fundição. Esta é uma característica normal do concreto fundido e não é coberta pela garantia.

ELEMENTI

THE ART OF LIVING

Ocean Rock EU GmbH

Karl-Benz-Straße 9, 40764 Langenfeld Germany

www.elementieu.com

E-mail: info@oceanrockeu.com

Tel: +49 2173-2979-981